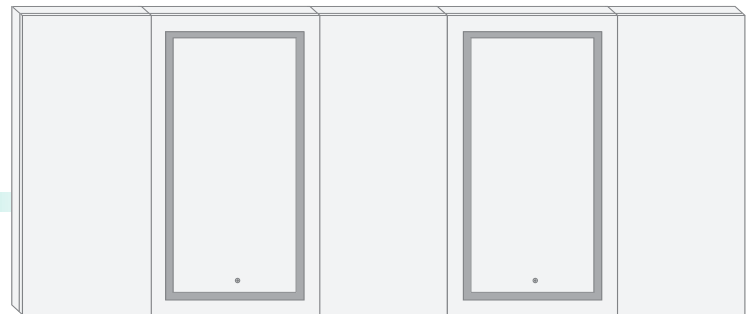


Features

- Dimmable LED task lighting
- Integrated touch sensor control with memory
- Energy efficient LED lighting 5000K
- 9000 Lumens
- CRI 90+
- Integrated Defogger

Construction

- Quality polished edge mirror
- Single phase wire installation
- 5 MM Silver Backed Copper Free
- Installation Either Surface Mount
- (Side Mirror Trim Panels included) or Recessed
- Includes installation hardware



Codes/Standards Applicable

- Conforms to UL Std. 962
- Cert. to CSA Std. C22.2 No.250.0-08
- ETL Intertek 5004931

Electrical System

- 120Vac, 60Hz, 55W
- Electric Current: 0.45A
- Wattage: 55W

Model

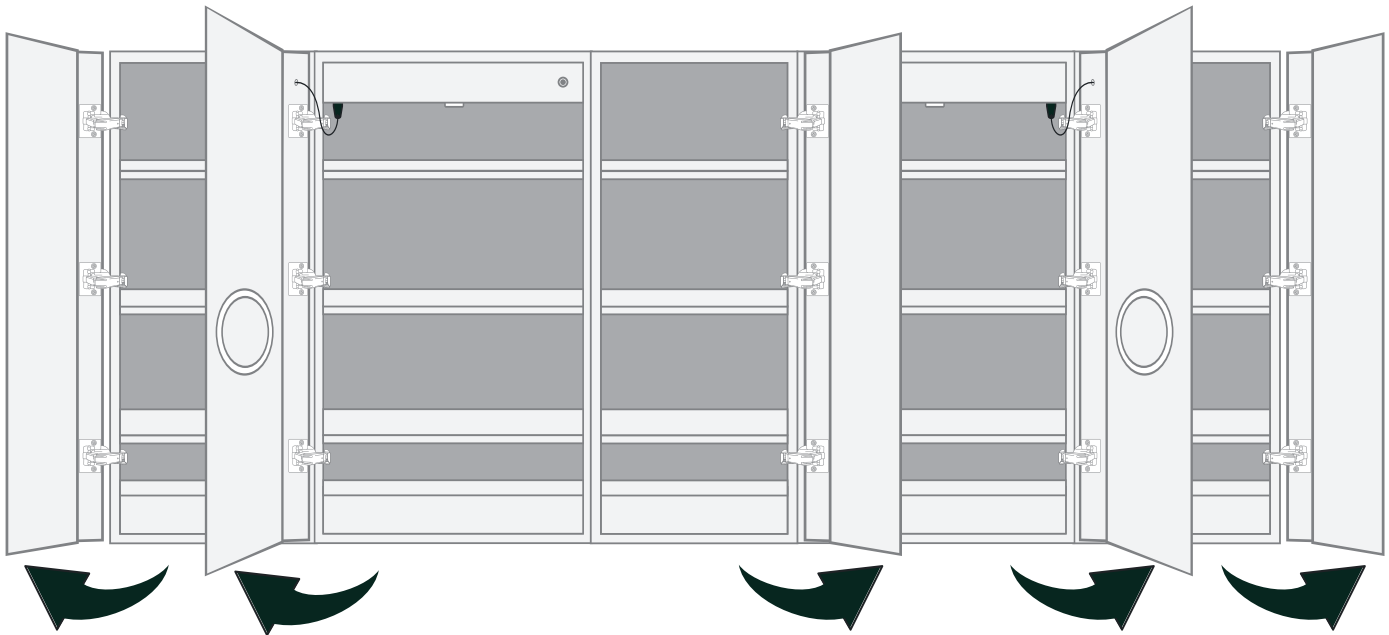
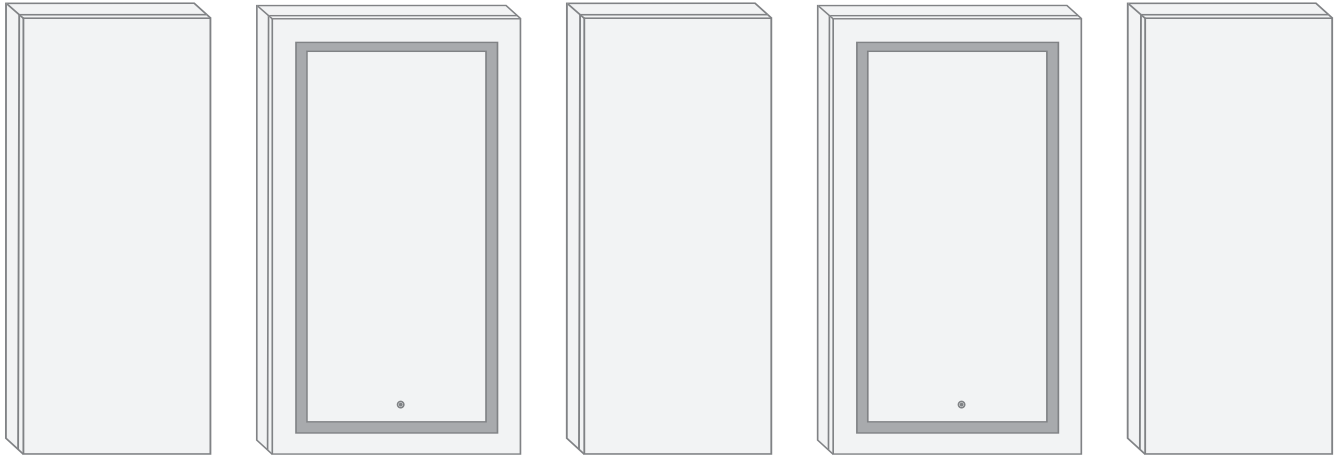
- SVANGE 10242DLLRRR Swinging Doors
- Included models in this configuration:
Cabinet 1=1842L Cabinet 2=2442L
Cabinet 3=1842R Cabinet 4=2442R
Cabinet 5=1842R

Electrical System

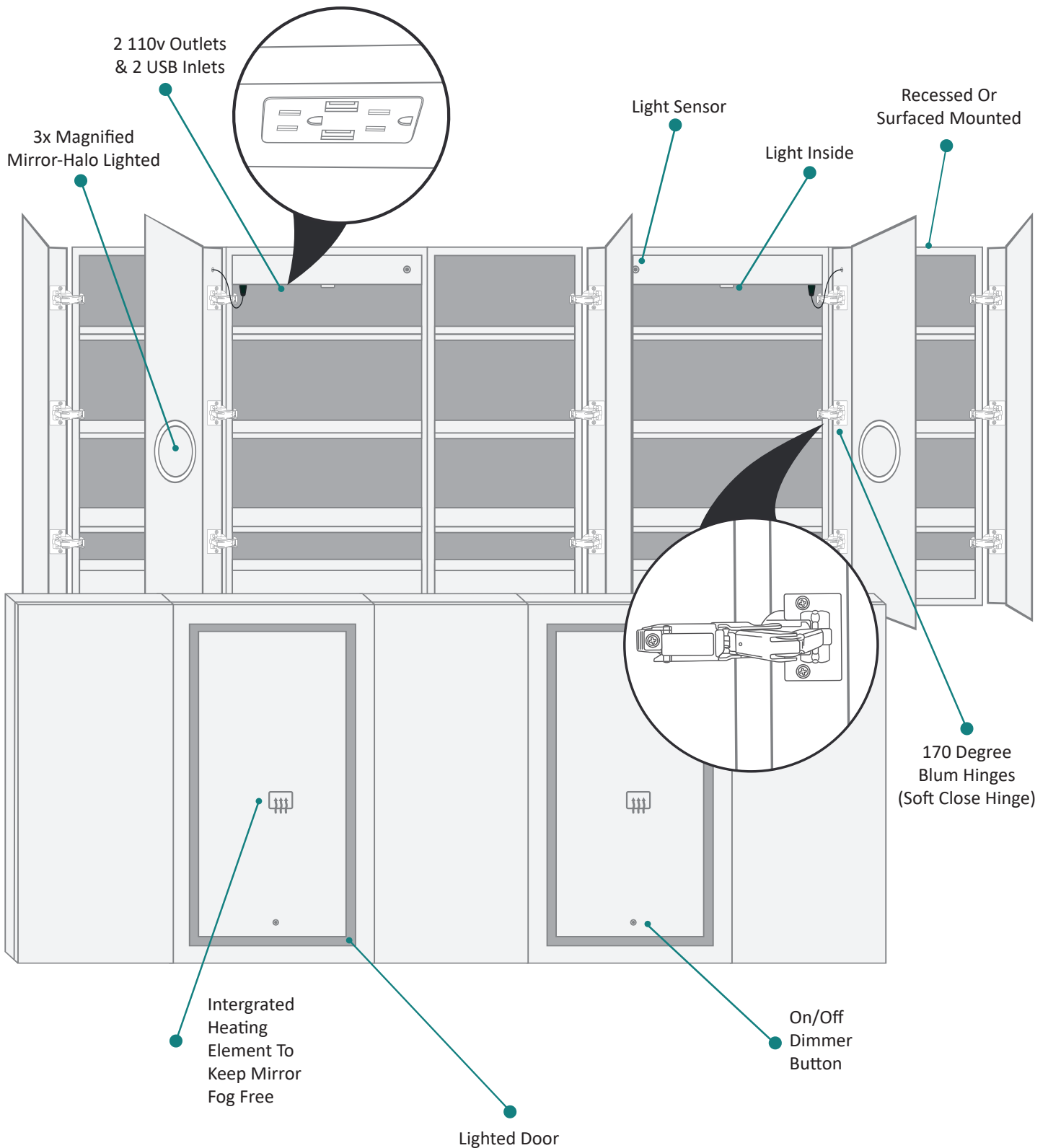
- Performance Requirements: Contains the required
- Supervisory Circuit with the Auto-Monitoring Function as noted by UL 1310
- Input Voltage: Min 112Vac, Nom 125Vac, Max 137Vac
- Frequency:60Hz
- Front Receptacle Current: 102-132Vac Nominal 15A
- USB Output Current:5VDC Nominal 4A

CABINET CONFIGURATION

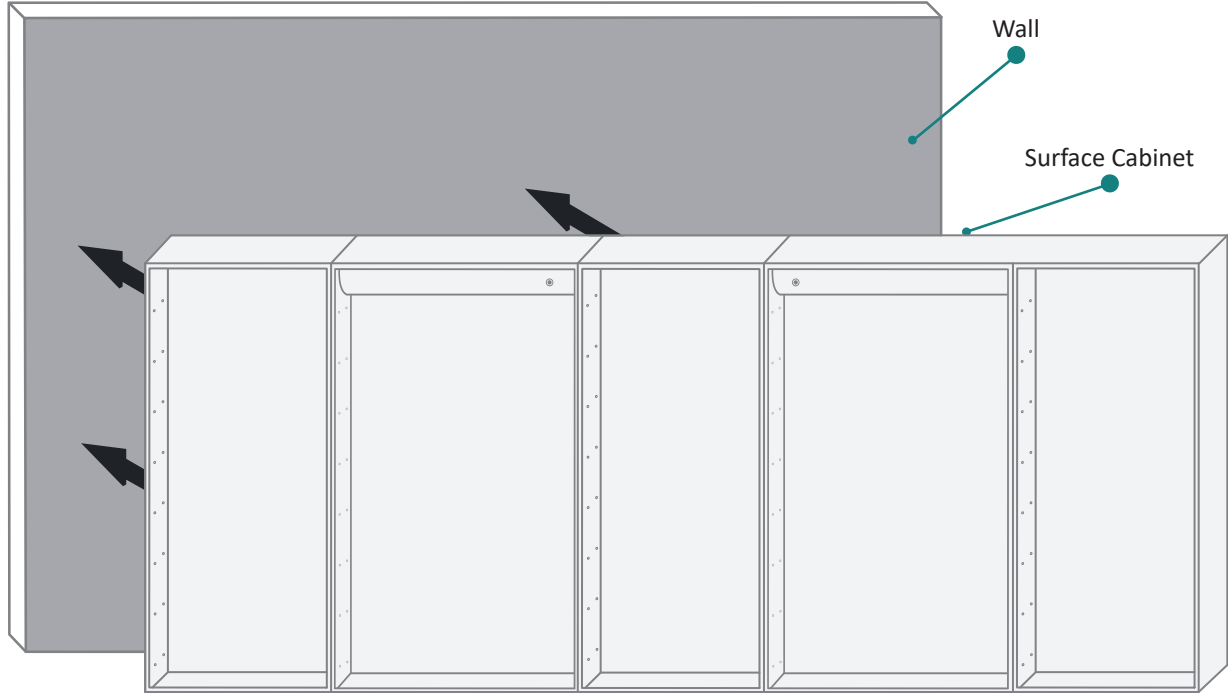
- Included models in this configuration:
Cabinet 1=1842L Cabinet 2=2442L Cabinet 3=1842R
Cabinet 4=2442R Cabinet 5=1842R



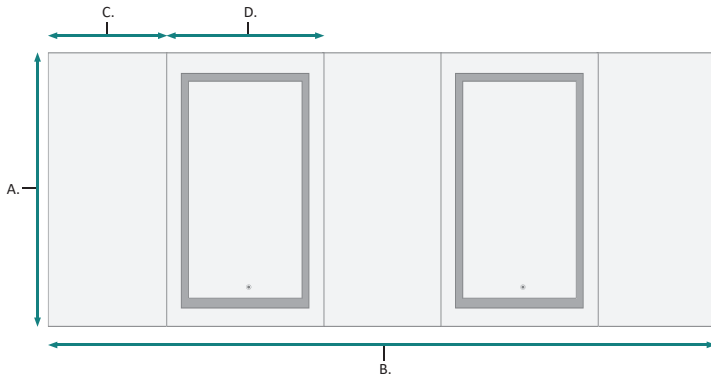
SVANGE 10242DLLRRR LED Medicine Cabinet - Specification Sheet



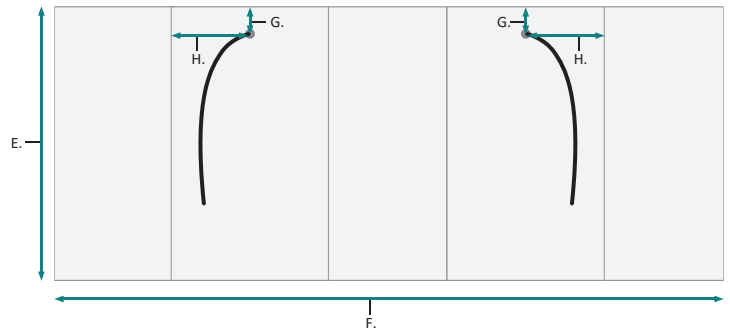
SURFACE MOUNT



FRONT



BACK

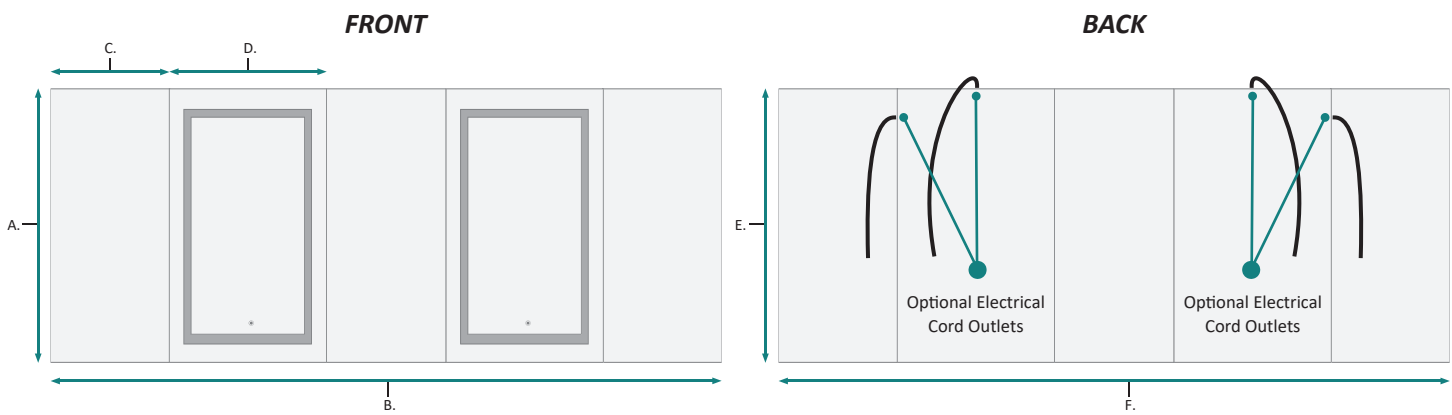
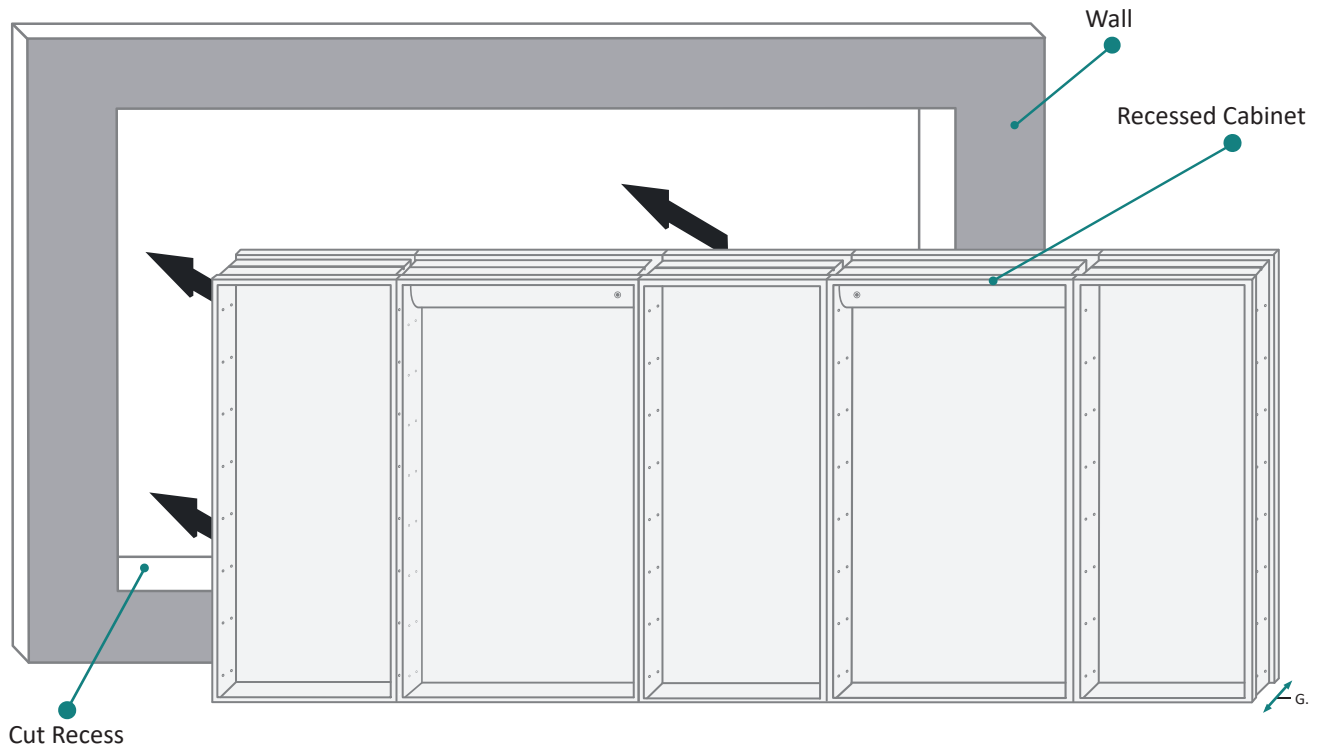


FRONT & BACKS

MODEL	A	B	C	D	E	F	G	H
SVANGE10242 DLLRRR	42	102	18	24	40-1/2	94-1/2	1-1/8	11-1/4

These measurements are for reference, for best results we suggest you measure actual product as small variations in size are possible

RECESSED MOUNT

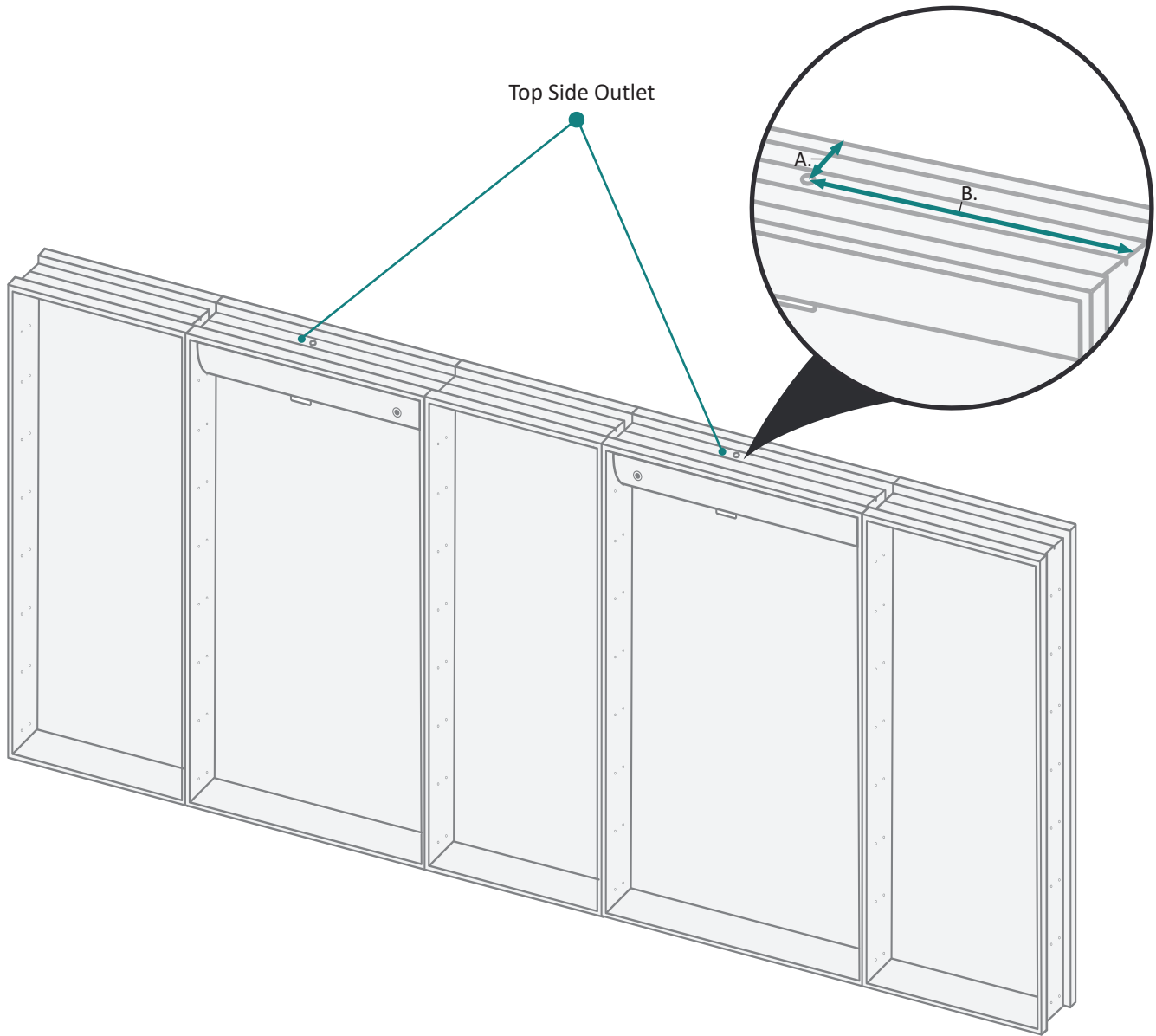


FRONT & BACKS

MODEL	A	B	C	D	E	F	G
SVANGE10242 DLLRRR	42	102	18	24	40-1/2	94-1/2	3-7/8

These measurements are for reference, for best results we suggest you measure actual product as small variations in size are possible

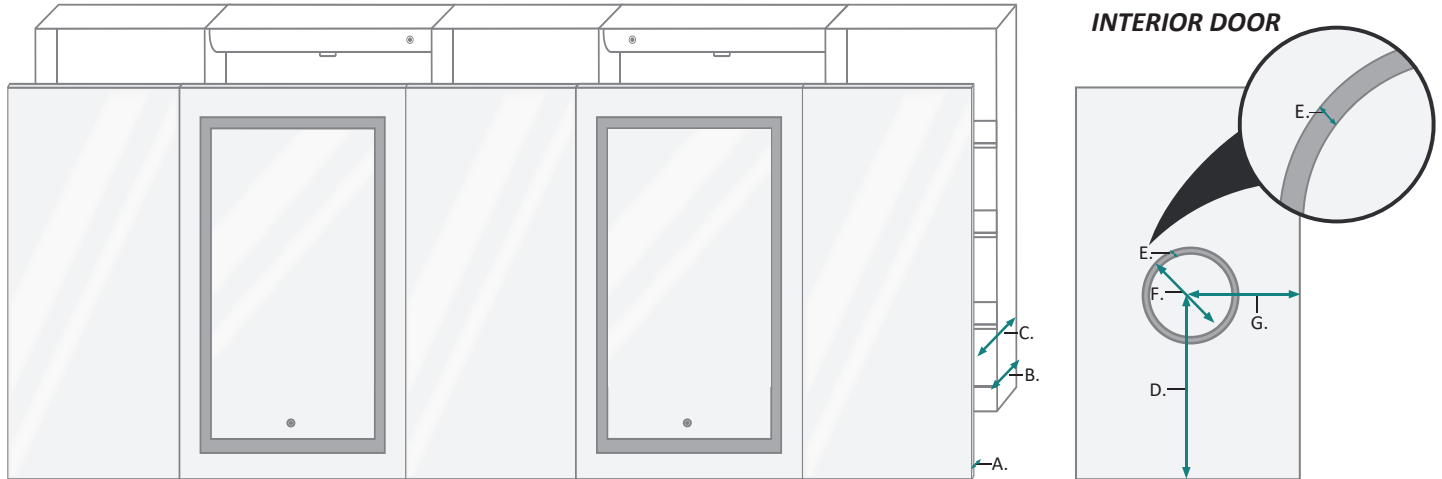
RECESS INSTALLATION OPTIONAL ELECTRICAL CORD LOCATIONS



ELECTRICAL CORD LOCATIONS

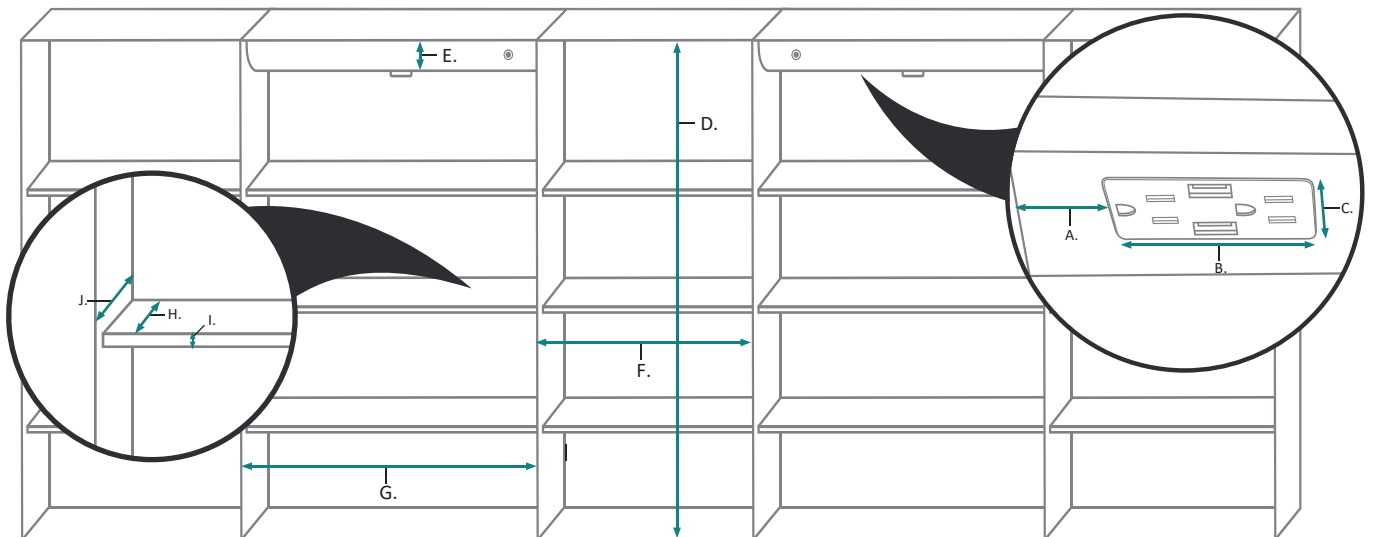
MODEL	A	B
SVANGE10242 DLLRRR	1-3/8	11-1/4

These measurements are for reference, for best results we suggest you measure actual product as small variations in size are possible



DOOR & CABINET

MODEL	A	B	C	D	E	F	G
SVANGE10242 DLLRRR	7/8	3-7/8	4-3/4	18	3/8	5-1/4	11-1/4



INTERIOR CABINET

MODEL	A	B	C	D	E	F	G	H	I	J
SVANGE10242 DLLRRR	3-3/4	5-5/8	1-1/4	40-1/2	2-1/4	16-1/2	22-1/2	2-3/8	3/8	3-5/8

These measurements are for reference, for best results we suggest you measure actual product as small variations in size are possible