

SOHO 4836 Wall Mirror - Specification Sheet

Features

- Dimmable LED task lighting
- Integrated touch sensor control with memory
- Energy efficient LED lighting 5000K
- 3720 Lumens
- CRI 90+
- Integrated Defogger

Construction

- Quality polished edge mirror
- Single phase wire installation, silver backed, copper free
- Construction for surface mounting
- Includes installation hardware

Codes/Standards Applicable

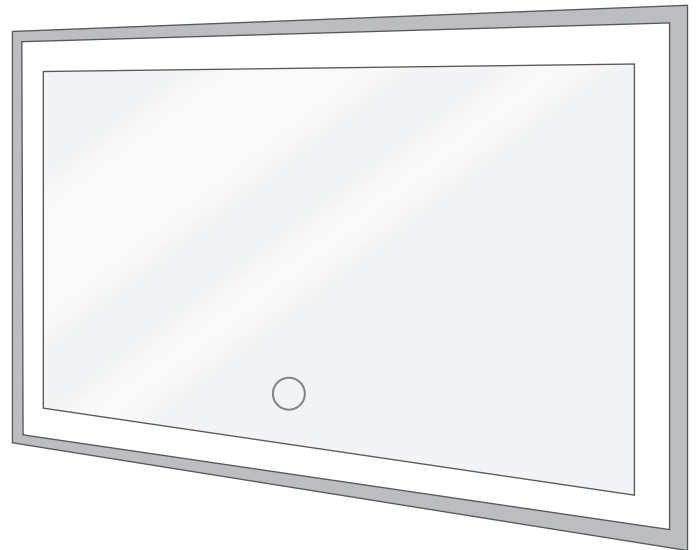
- Conforms to UL Std. 962
- Cert. to CSA Std. C22.2 No.250.0-08
- ETL Intertek 5004931

Electrical System

- 120Vac, 60Hz, 67W
- Electric Current: 0.56A
- Wattage: 67W

Model

- SOHO 4836



SOHO 4836 Wall Mirror - Specification Sheet

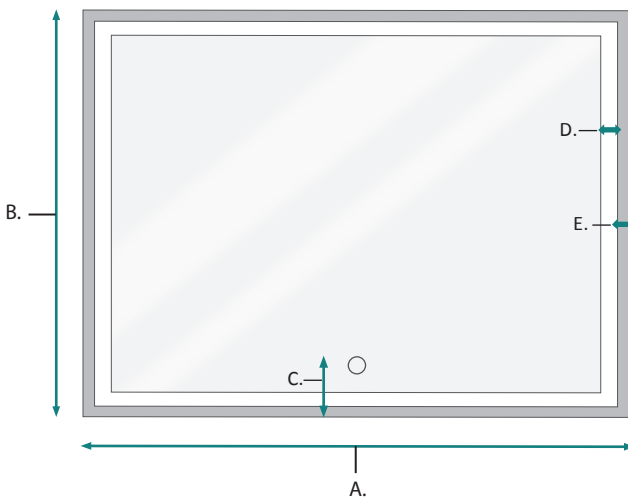


Dimensions

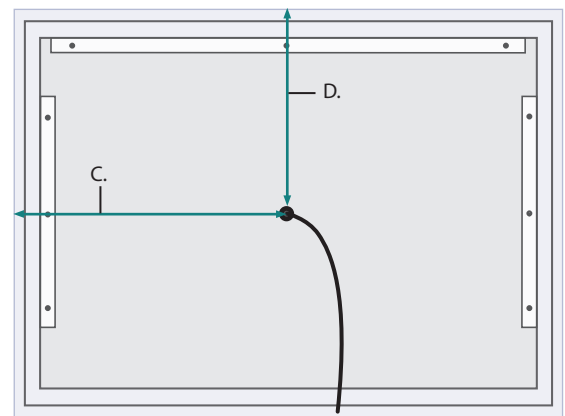
SKU:

- Height: 36"
- Width: 48"
- Depth: 1-9/16"
- Name: Soho4836
- Height: 36"
- Width: 48"
- Weight: 50lbs
- Shipping weight: 55lbs

FRONT



BACK



SIDE



FRONT

MODEL	A	B	C	D	E
SOHO4836	48	36	5-1/2	1-1/4	3/8

BACK & SIDE

MODEL	C	D	E	F
SOHO4836	23-7/8	17-7/8	1-3/8	3/16