

SOHO 3636 Wall Mirror - Specification Sheet

Features

- Dimmable LED task lighting
- Integrated touch sensor control with memory
- Energy efficient LED lighting 5000K
- 3720 Lumens
- CRI 90+
- Integrated Defogger

Construction

- Quality polished edge mirror
- Single phase wire installation, silver backed, copper free
- Construction for surface mounting
- Includes installation hardware

Codes/Standards Applicable

- Conforms to UL Std. 962
- Cert. to CSA Std. C22.2 No.250.0-08
- ETL Intertek 5004931

Electrical System

- 120Vac, 60Hz, 70W
- Electric Current: 0.58A
- Wattage: 70W

Model

- SOHO 3636

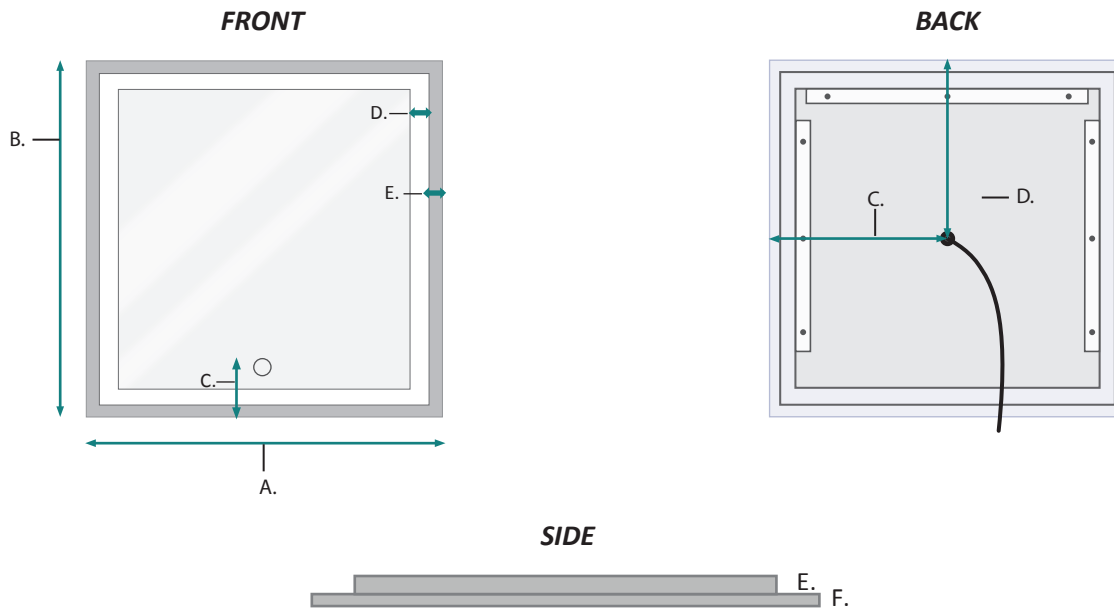


SOHO 3636 Wall Mirror - Specification Sheet

Dimensions

SKU:

- Height: 36"
- Width: 36"
- Depth: 1-9/16"
- Name: Soho3636
- Height: 36"
- Width: 36"
- Weight: 25lbs
- Shipping weight: 80lbs



FRONT

MODEL	A	B	C	D	E
SOHO3636	36	36	5-1/2	1-1/4	3/8

BACK & SIDE

MODEL	C	D	E	F
SOHO3636	17-7/8	17-7/8	1-3/8	3/16