

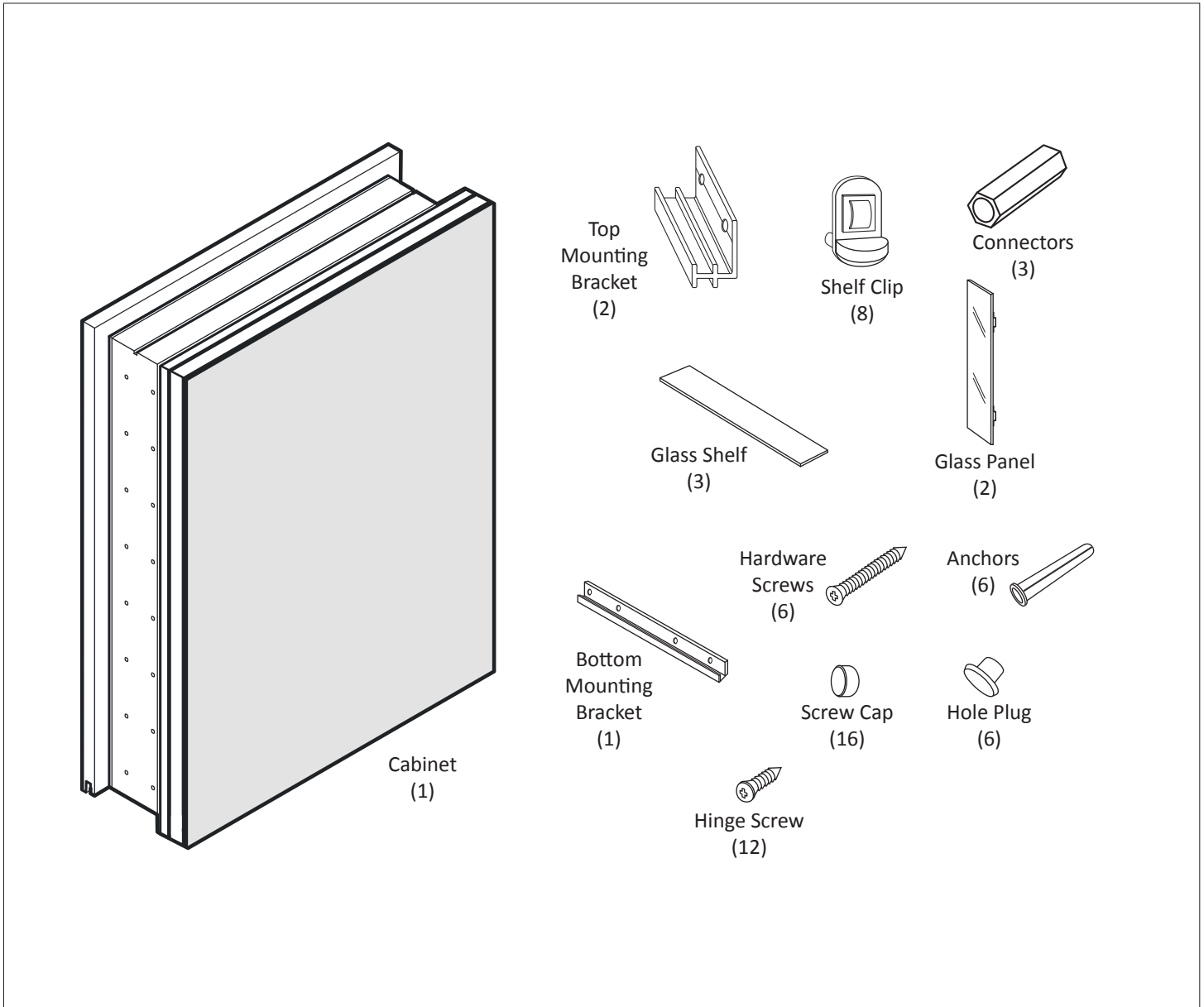
# PLAZA

## Medicine Cabinet

### Installation & User Guide



## PARTS LIST



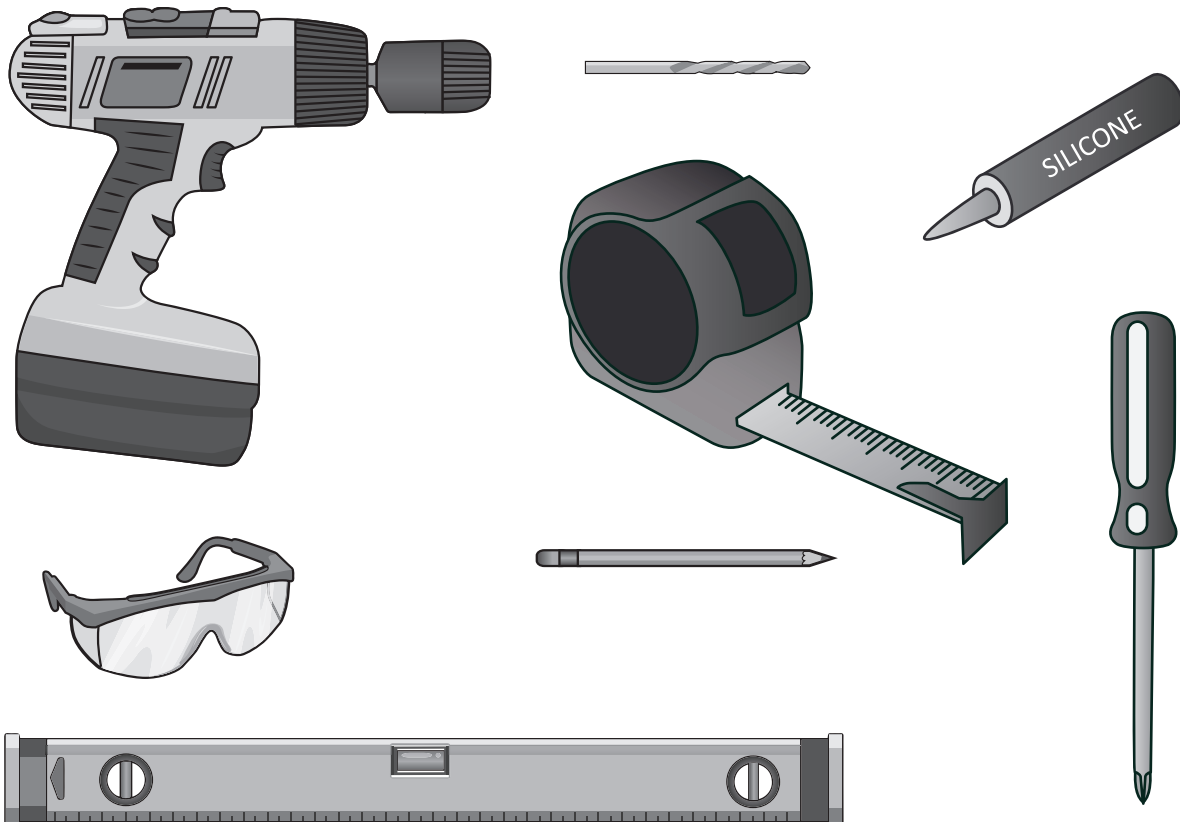
## IMPORTANT - BEFORE YOU BEGIN

- Inspect the product immediately upon receipt for transit damage or missing parts.
- Handle the product with care and protect against knock to all sides and edges of the glass.
- Make sure that you have all the tools you need to complete the job. (SEE BELOW)
- Ensure there are no hidden pipes or cables in the wall before drilling.
- If drilling holes in ceramic tiles use a piece of masking tape on the tile to stop the drill bit from slipping.

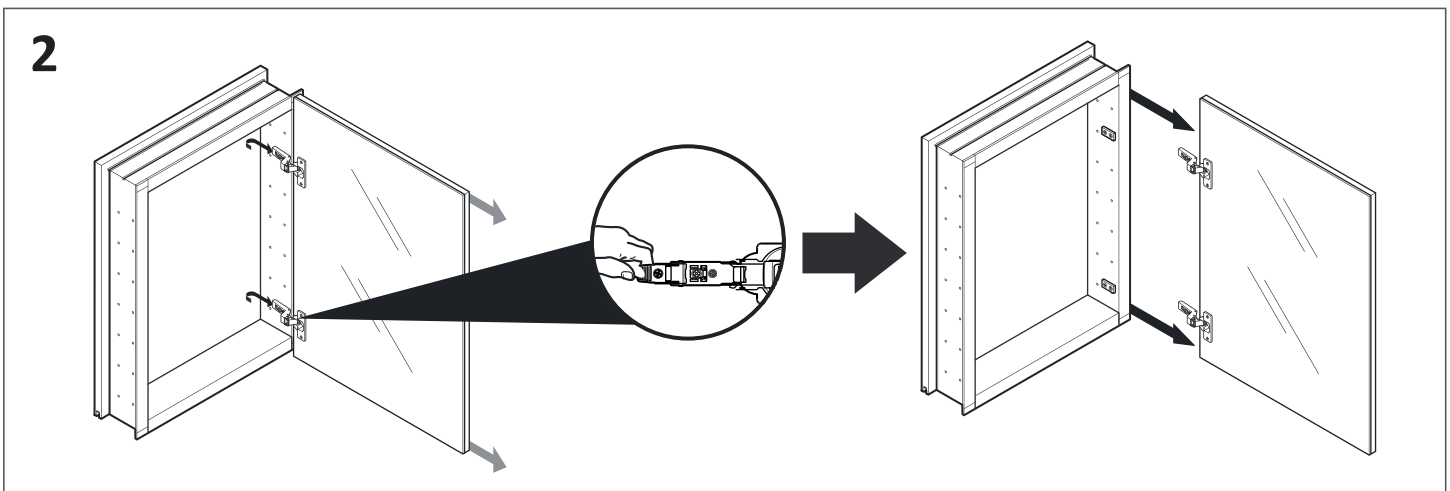
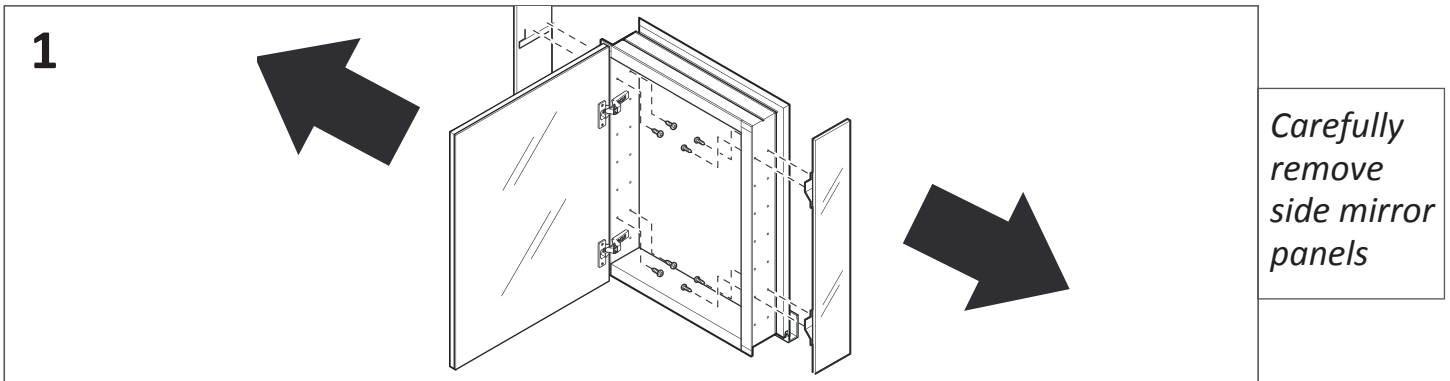
## Aftercare Instructions

- Clean using a soft dry cloth only when turned off.
- Never use cleaning agents or abrasive materials.

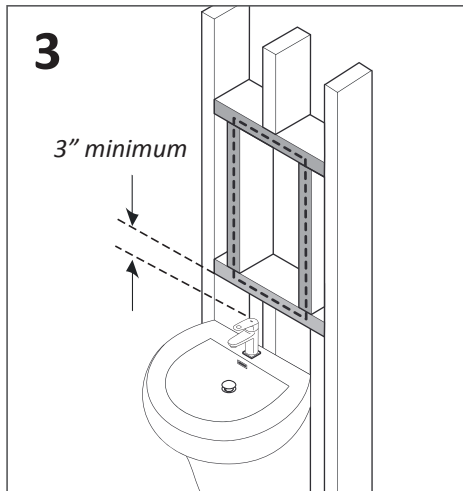
## TOOLS USED



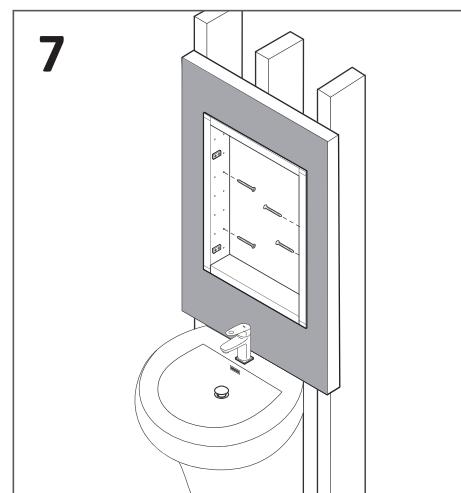
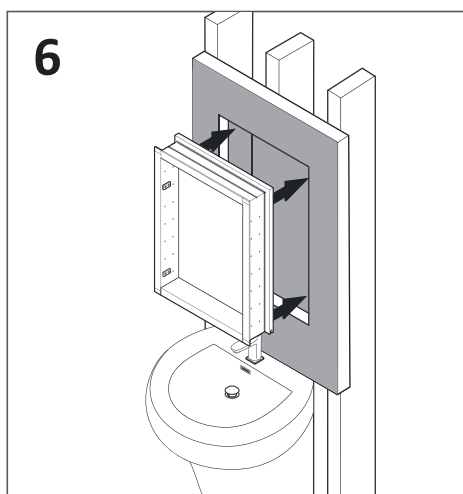
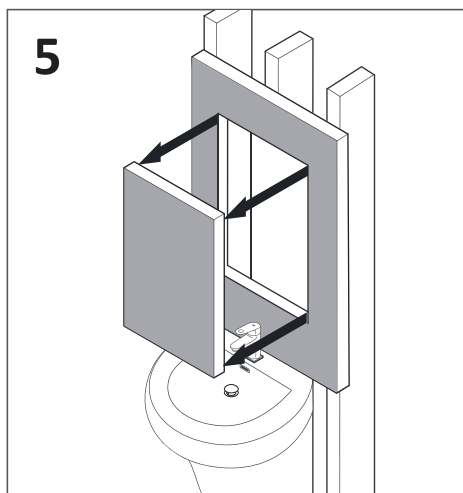
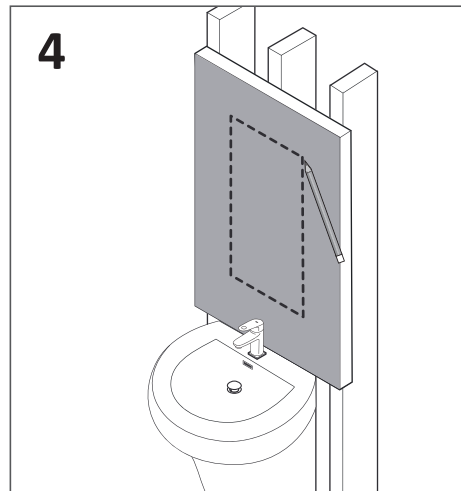
## RECESS MOUNT INSTALLATION



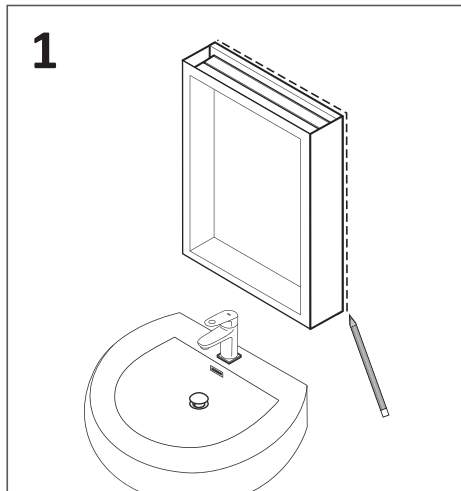
## RECESS MOUNT INSTALLATION CONTINUED



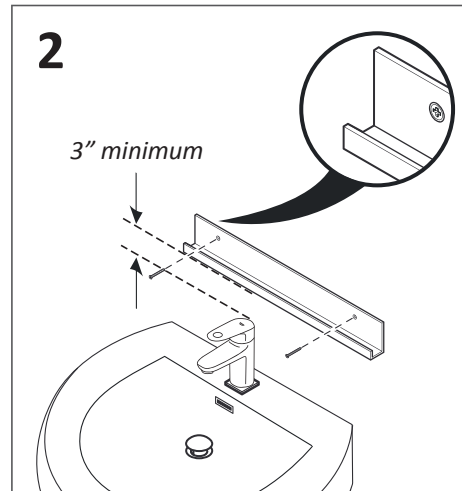
*Frame the opening for the cabinet based on the measurement*



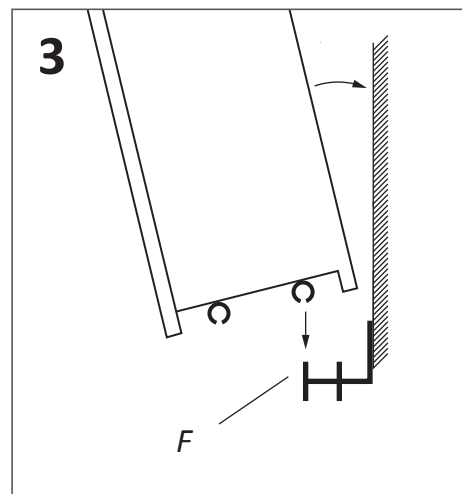
## SURFACE MOUNT INSTALLATION



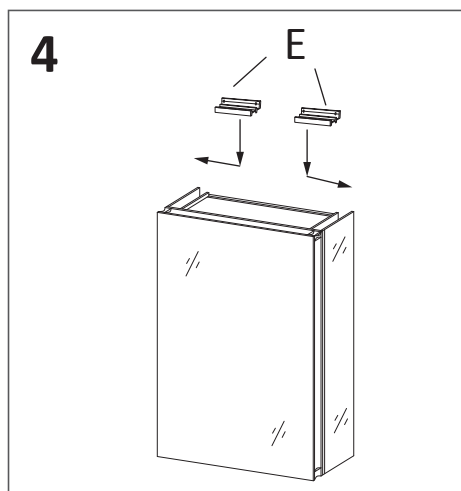
Level and mark the cabinet's location on the wall



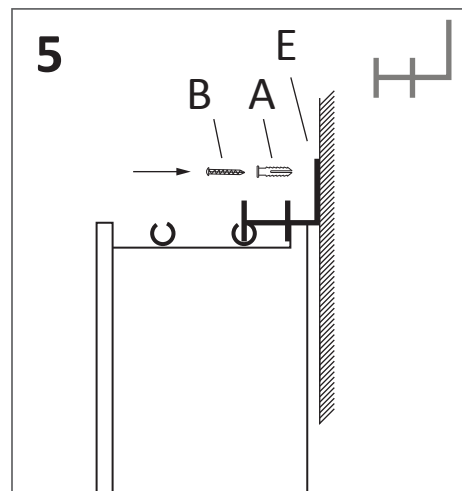
Attach bottom bracket to wall



With assistance rest the cabinet on the bottom mounting bracket and hold in place

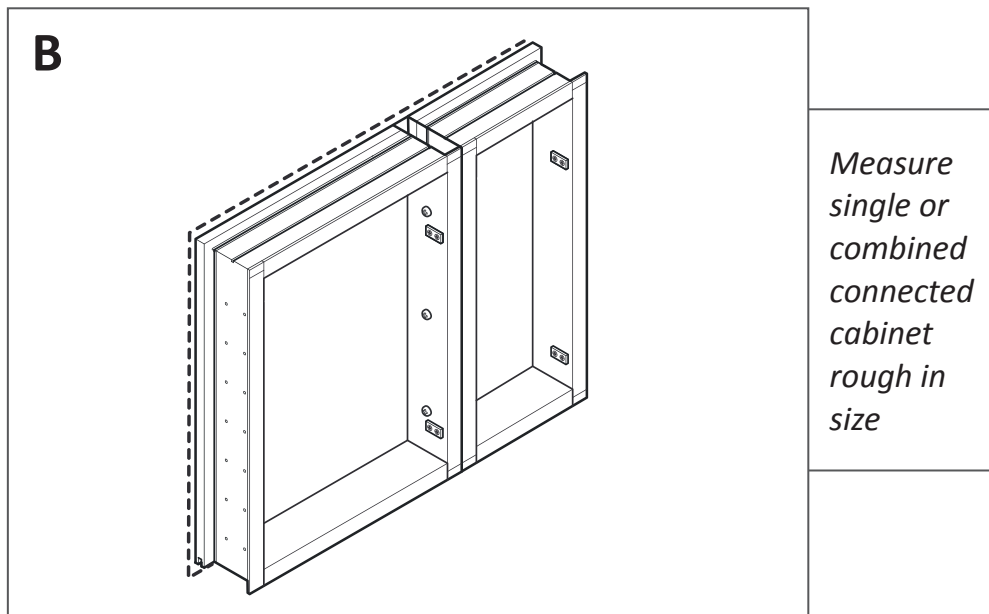
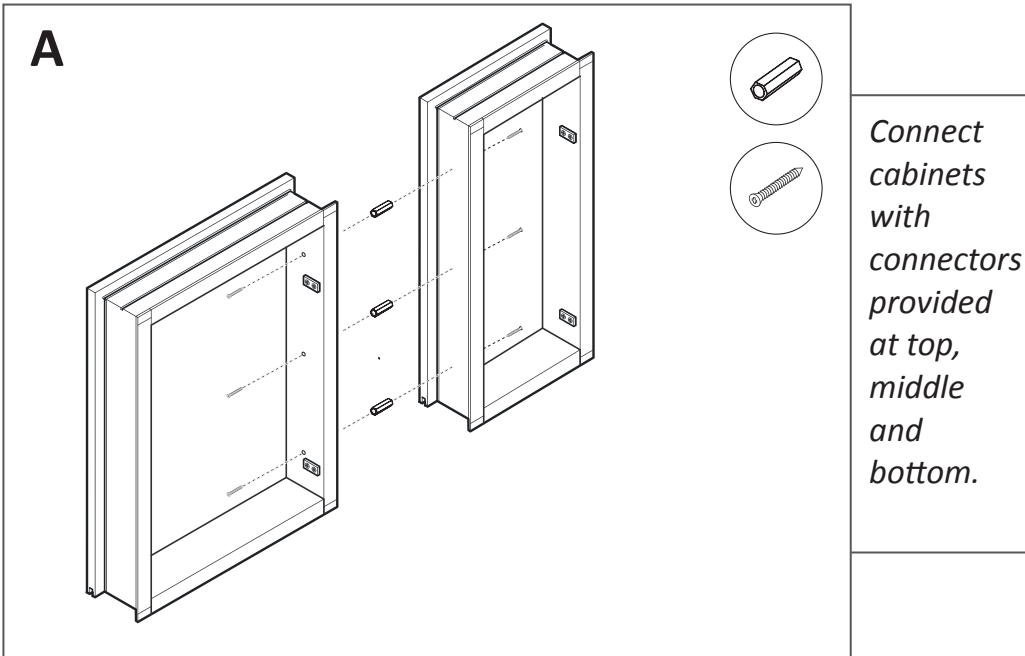


Insert top mounting bracket into the top of the cabinet

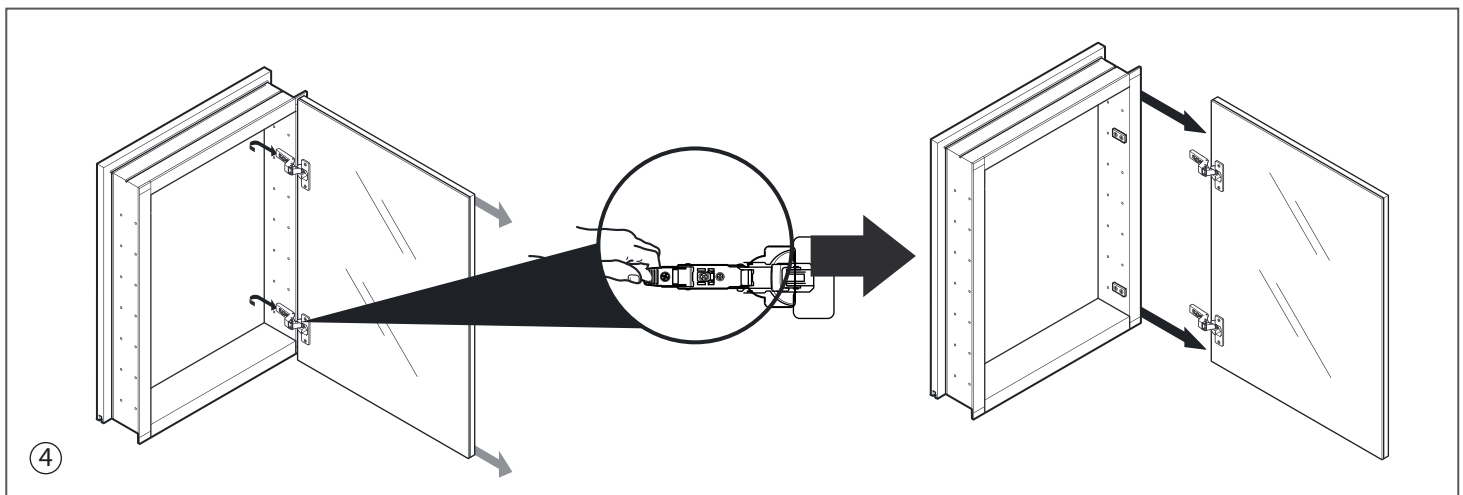
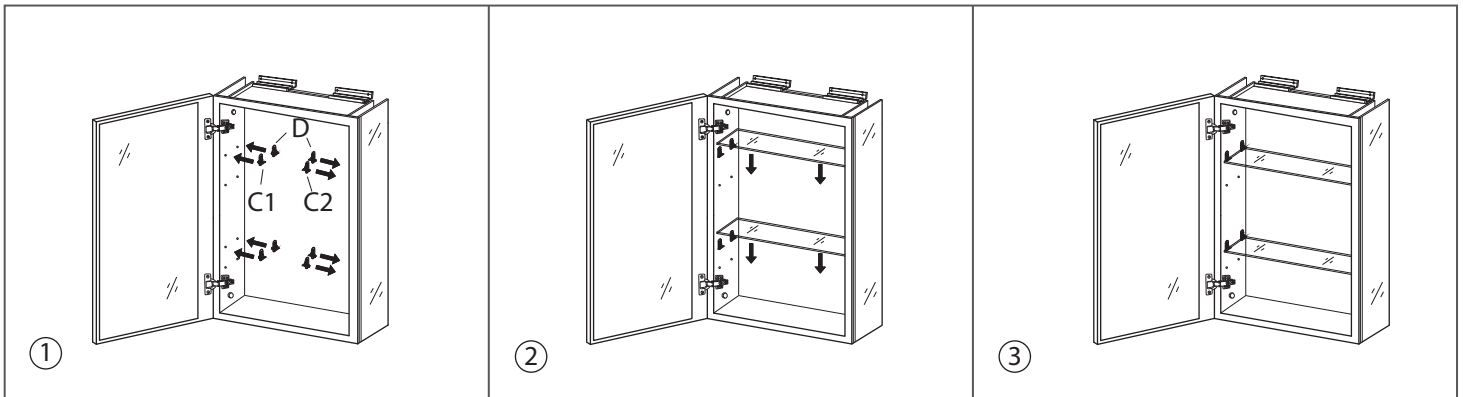


Attach the top mounting bracket to the wall using a screw gun

## CONNECTING CABINETS

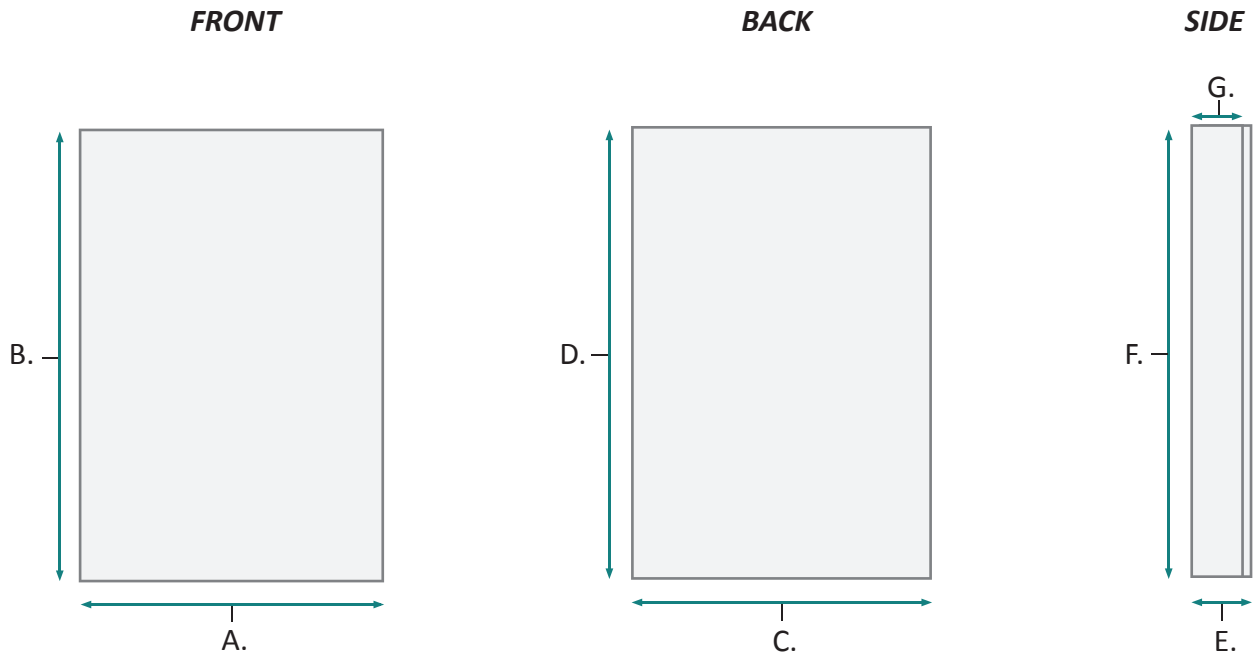


## INSTALLATION INSTRUCTIONS (SURFACE MOUNTED)



*Slide the doors  
into place by  
pinching the end  
of the hinge*





**FRONT, BACK, SIDE & SKU**

MODELS	A	B	C	D	E	F	G	WEIGHT	SHIPPING WEIGHT
PLAZA 1230	12	30	11	29-1/2	4-3/4	30	4	30lbs	35lbs
PLAZA 1530	15	30	14	29-1/2	4-3/4	30	4	34lbs	39lbs
PLAZA 1830	18	30	17	29-1/2	4-3/4	30	4	40lbs	45lbs
PLAZA 2030	20	30	19	29-1/2	4-3/4	30	4	44lbs	49lbs
PLAZA 2430	24	30	23	29-1/2	4-3/4	30	4	40lbs	45lbs

## USE AND MAINTENENCE

- The interior is constructed of mirrored glass and aluminium. Use only a damp cloth to clean. Ammonia or vinegar-based cleaners can damage mirrors.
- When cleaning, spray the cloth, not the mirror, or surrounding surfaces. Do not use abrasive cleansers on any part of the light fixture.

## LIMITED LIFETIME WARRANTY

Subject to the terms and conditions specified herein, Krugg Reflections USA LLC, ("KRUGG") hereby extends a limited lifetime warranty (this "Limited Warranty") to original Purchasers (as defined below) of the Krugg LED Medicine Cabinet (the "Product") with respect to certain specified components of the Product. Specifically, KRUGG, by this Limited Warranty, warrants that, for the durations specified herein, Products purchased directly from KRUGG or KRUGG's authorized retailers will be free of defects in the material and workmanship of the Product's electrical components, glass, mirrors, and certain mechanical components, which defects would cause the Product to substantially fail to function when subject to normal use.

## ONE-YEAR LIMITED COMMERCIAL WARRANTY

Subject to the terms and conditions specified herein, Krugg Reflections USA LLC, ("KRUGG") hereby extends a limited one-year warranty (this "Limited Warranty") to Commercial Purchasers (as defined below) of the Krugg LED Medicine Cabinet (the "Product") with respect to certain specified structural components of the Product. Specifically, KRUGG, by this Limited Warranty, warrants that, for a one-year period, Products purchased directly from KRUGG or KRUGG's authorized retailers will be free of defects in the material and workmanship of the Product's electrical components, glass, mirrors, and certain mechanical components, which defects would cause the Product to substantially fail to function when subject to normal use.

Additional Warranty Information can be found at <http://www.kruggusa.com>  
For any installation and warranty related issue, contact us at [info@kruggusa.com](mailto:info@kruggusa.com)