

Features

- Dimmable LED task lighting
- Integrated touch sensor control with memory
- Energy efficient LED lighting 5000K
- 1410 Lumens
- CRI 90+
- Integrated Defogger

Construction

- Quality polished edge mirror
- Single phase wire installation
- 5 MM Silver Backed Copper Free
- Installation Either Surface Mount (Side Mirror Trim Panels included) or Recessed
- Includes installation hardware

Codes/Standards Applicable

- Conforms to UL Std. 962
- Cert. to CSA Std. C22.2 No.250.0-08
- ETL Intertek 5004931

Electrical System

- 120Vac, 60Hz, 31W
- Electric Current: 0.26A
- Wattage: 31W

SKU

- Name: Kinetic 1530R
- Height: 30"
- Width: 15"
- Weight: 30lbs
- Shipping weight: 35lbs



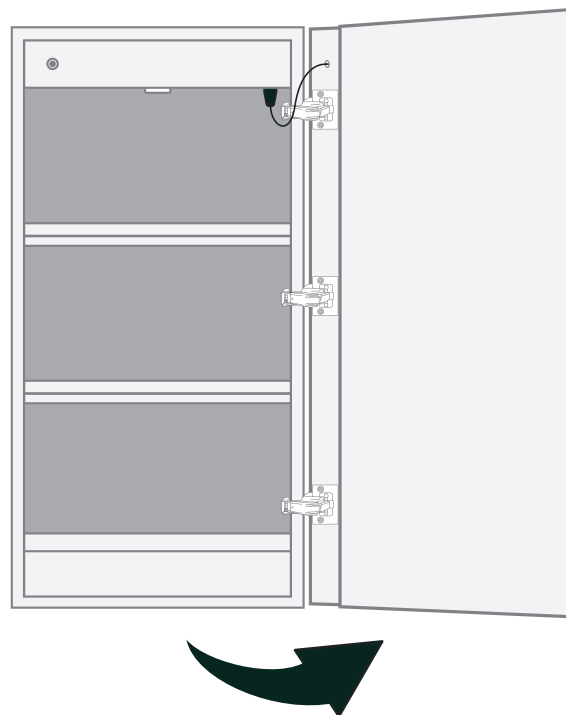
Model

- Kinetic 1530 Right Swinging Door

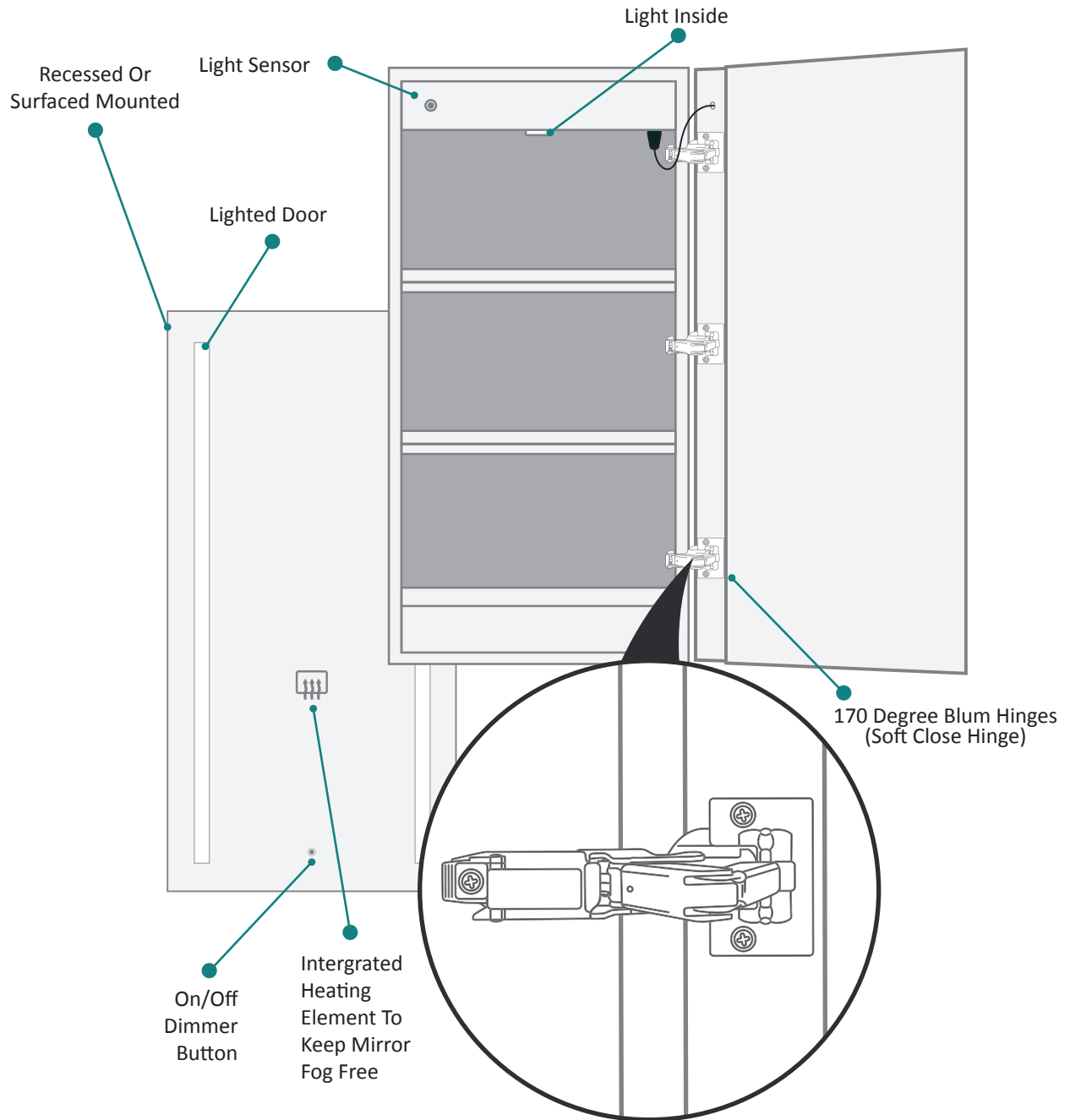
Outlet

- Performance Requirements: Contains the required Supervisory Circuit with the Auto-Monitoring Function as noted by UL 1310
- Input Voltage: Min 112Vac, Nom 125Vac, Max 137Vac
- Frequency: 60Hz
- Front Receptacle Current: 102-132VAC Nominal 15A
- USB Output Current: 5VDC Nominal 4A

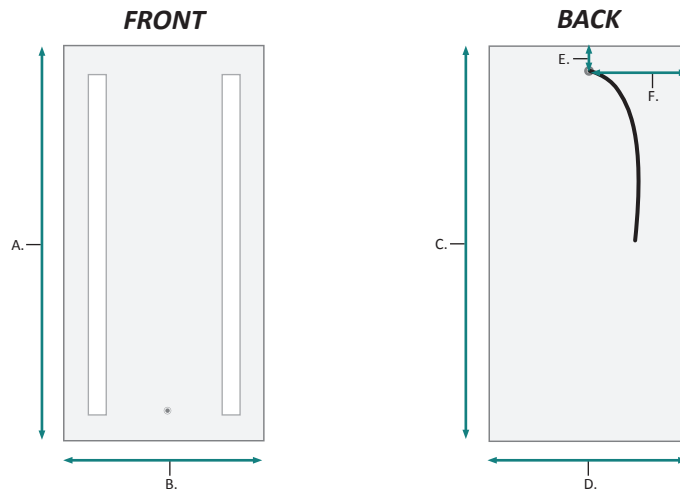
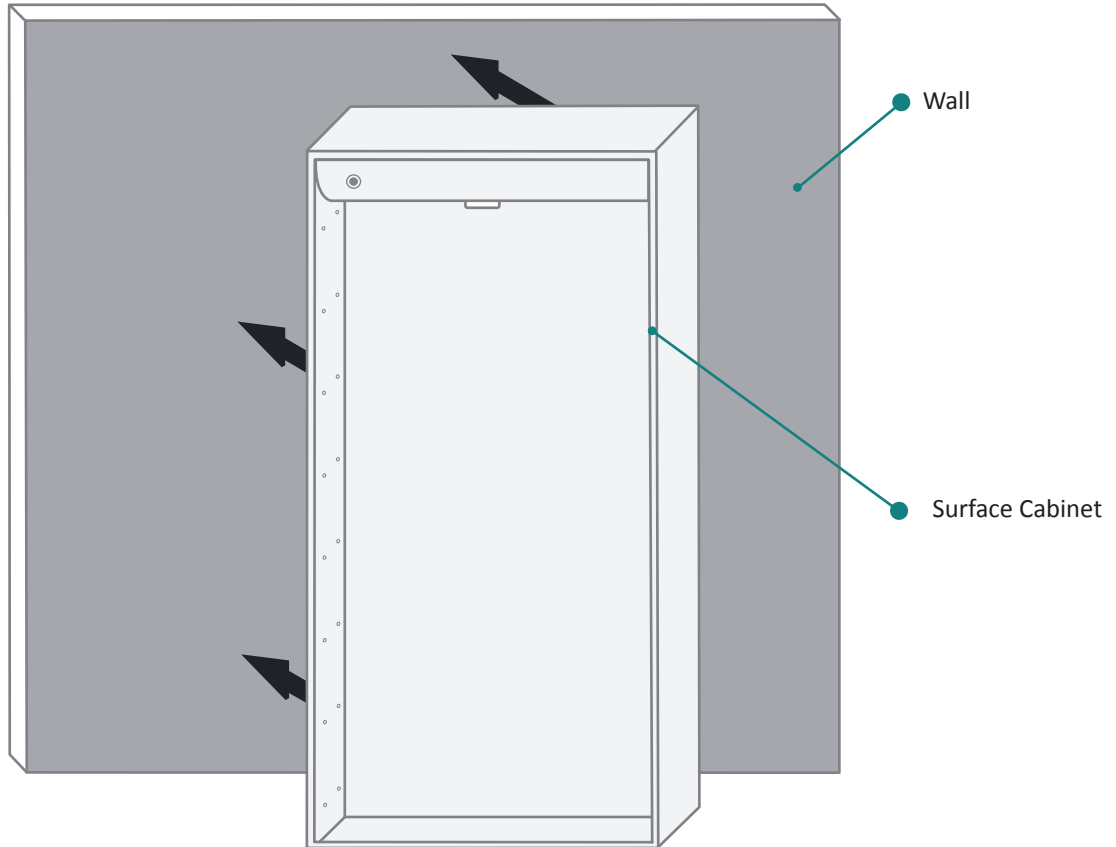
CABINET CONFIGURATION



KINETIC 1530R LED Medicine Cabinet - Specification Sheet



SURFACE MOUNT

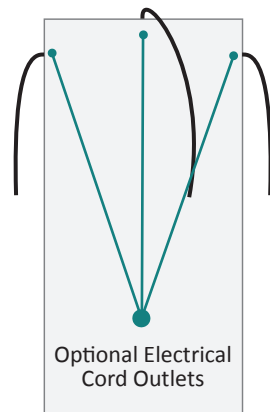
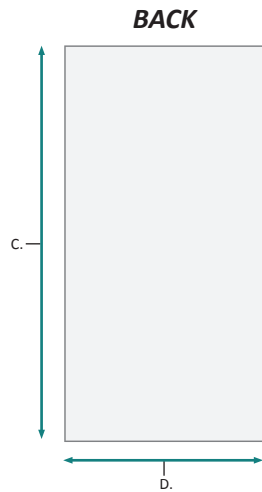
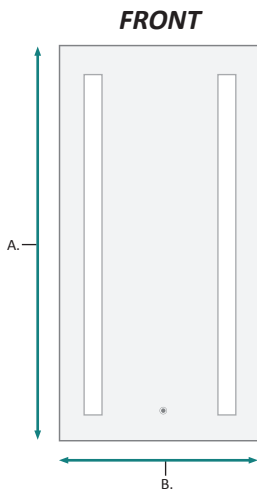
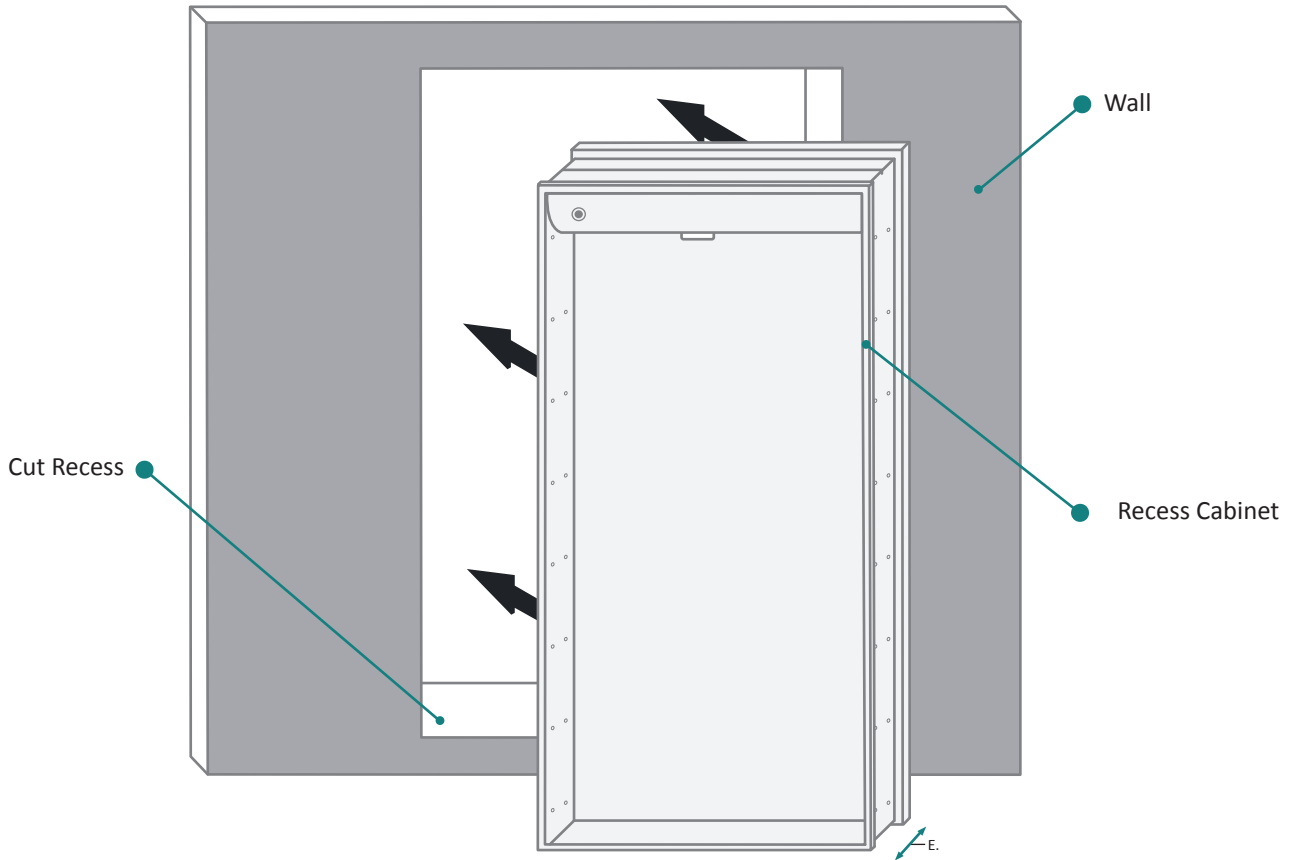


FRONT & BACKS

MODEL	A	B	C	D	E	F
KINETIC1530R	30	15	28-1/2	13-1/2	1-1/8	6-3/4

These measurements are for reference, for best results we suggest you measure actual product as small variations in size are possible

RECESS MOUNT

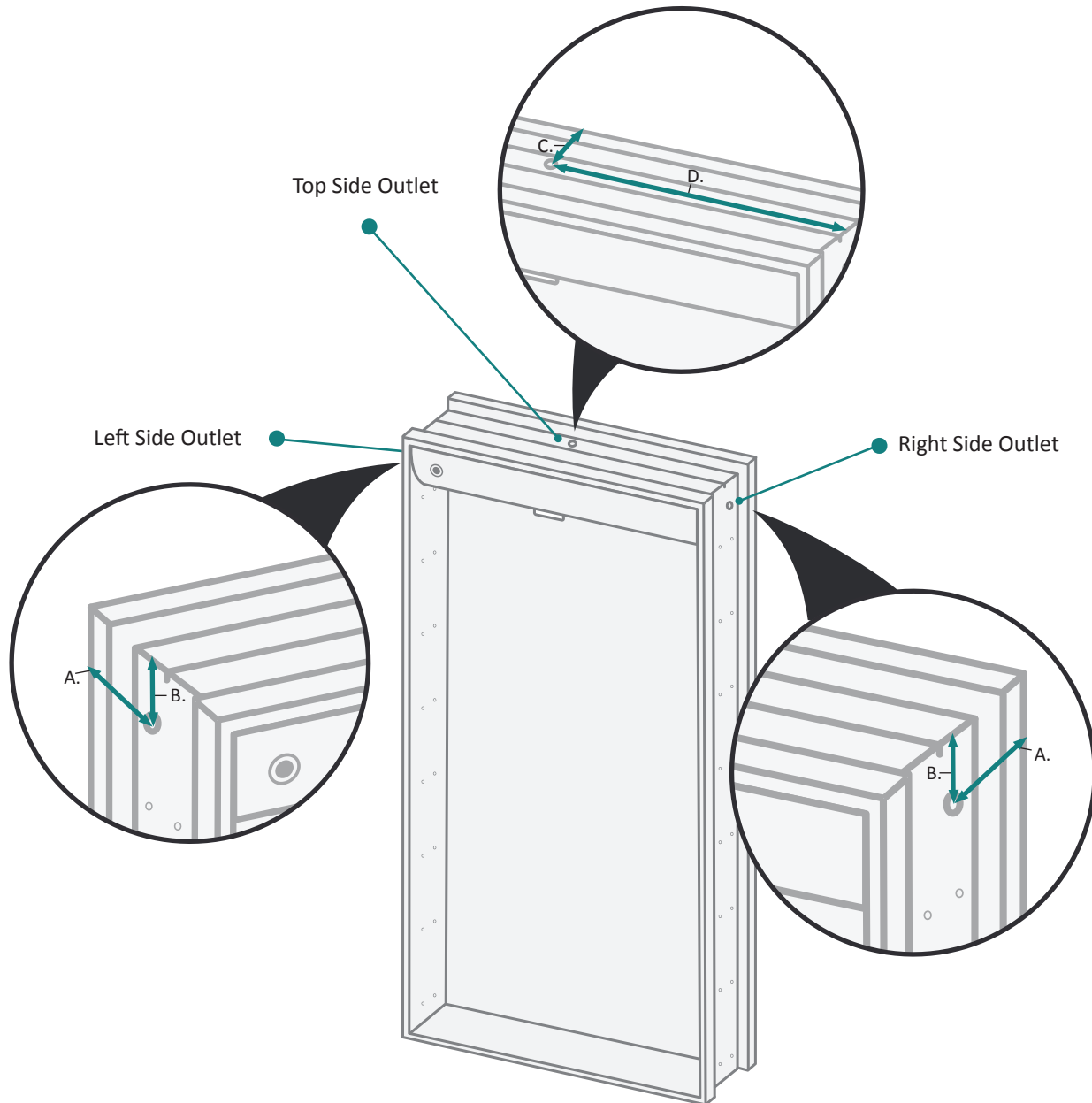


FRONT & BACK

MODEL	A	B	C	D	E
KINETIC1530R	30	15	28-1/2	13-1/2	3-7/8

These measurements are for reference, for best results we suggest you measure actual product as small variations in size are possible

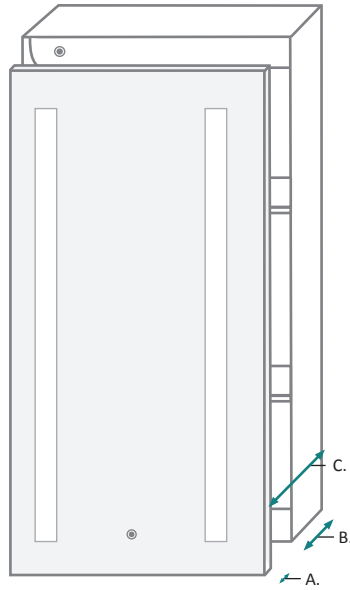
RECESS INSTALLATION OPTIONAL ELECTRICAL CORD LOCATIONS



ELECTRICAL CORD LOCATIONS

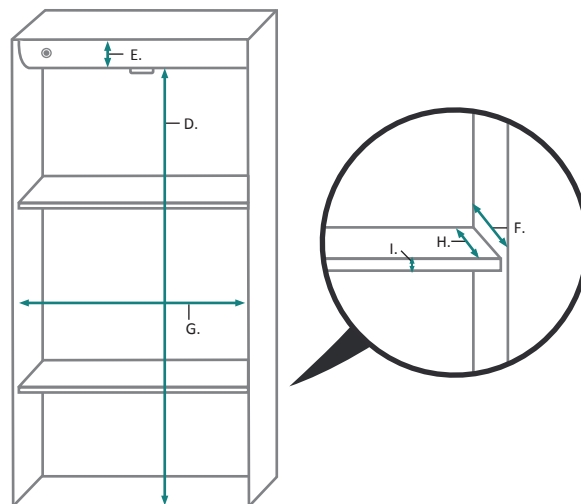
MODEL	A	B	C	D
KINETIC1530R	1-1/2	1-1/8	1-3/8	6-3/4

These measurements are for reference, for best results we suggest you measure actual product as small variations in size are possible



DOOR & CABINET

MODEL	A	B	C
KINETIC1530R	7/8	3-7/8	4-3/4



INTERIOR CABINET

MODEL	A	B	C	D	E	F	G	H	I
KINETIC1530R	3-3/4	5-5/8	1-1/4	26-1/4	2-1/4	3-5/8	13-1/4	2-3/8	3/8

These measurements are for reference, for best results we suggest you measure actual product as small variations in size are possible