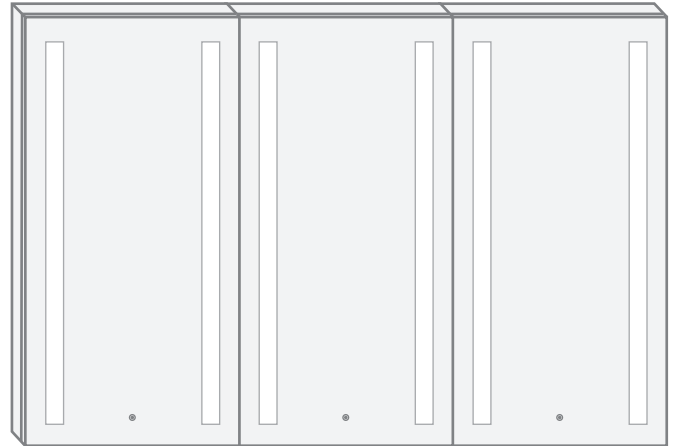


Features

- Dimmable LED task lighting
- Integrated touch sensor control with memory
- Energy efficient LED lighting 5000K
- 1410 Lumens
- CRI 90+
- Integrated Defogger

Construction

- Quality polished edge mirror
- Single phase wire installation
- 5 MM Silver Backed Copper Free
- Installation Either Surface Mount (Side Mirror Trim Panels included) or Recessed
- Includes installation hardware



Codes/Standards Applicable

- Conforms to UL Std. 962
- Cert. to CSA Std. C22.2 No.250.0-08
- ETL Intertek 5004931

Electrical System

Requirements for each cabinet:

- 120Vac, 60Hz, 31W
- Electric Current: 0.26A
- Wattage: 31W

Model

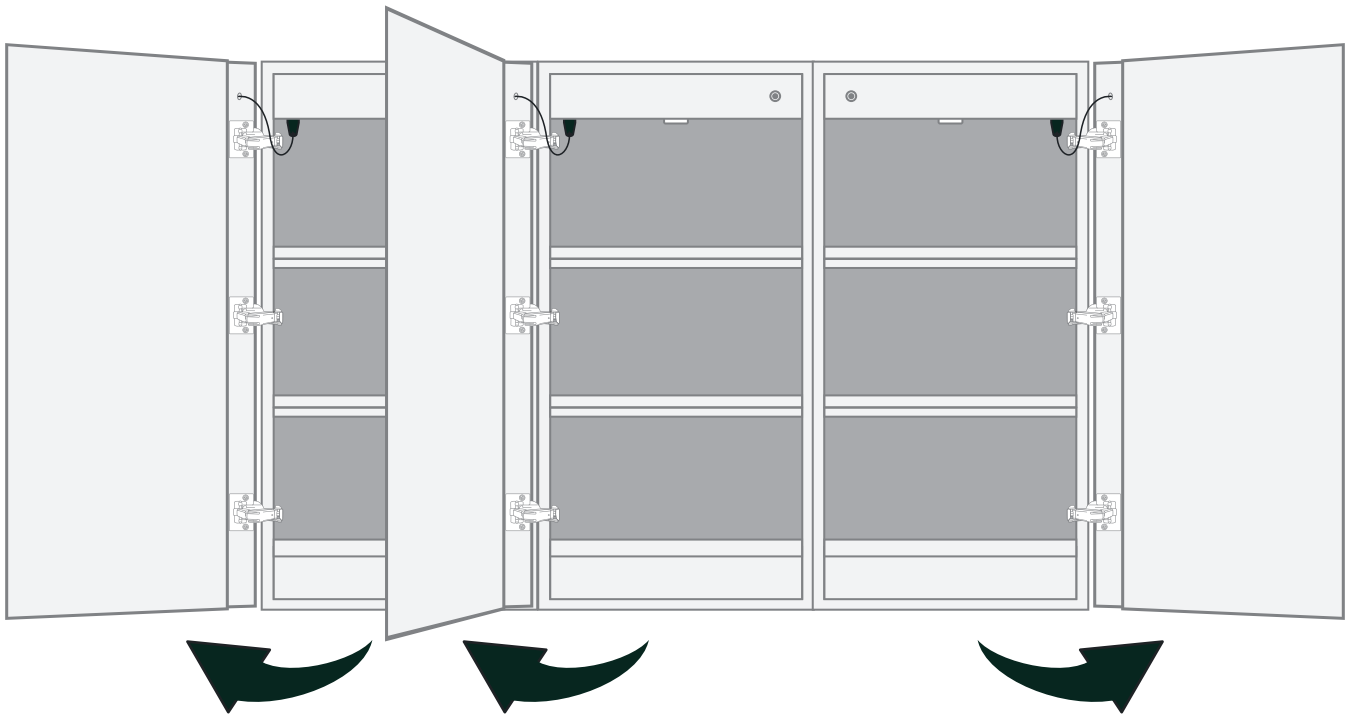
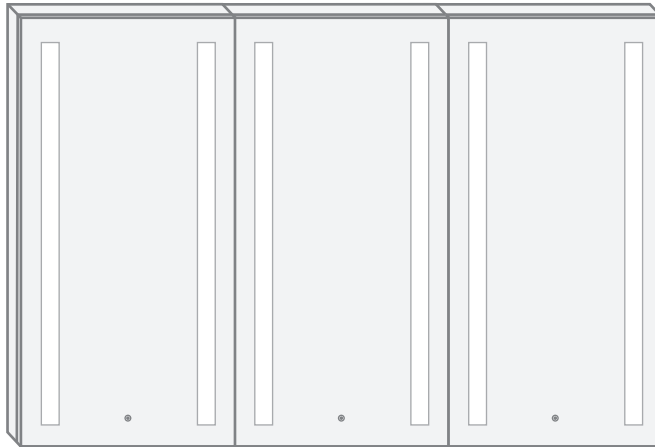
- Kinetic 4530LLR Left, Left & Right Swinging Door
- Included models in this configuration:
Cabinet 1=1530L Cabinet 2=1530L Cabinet 2=1530R

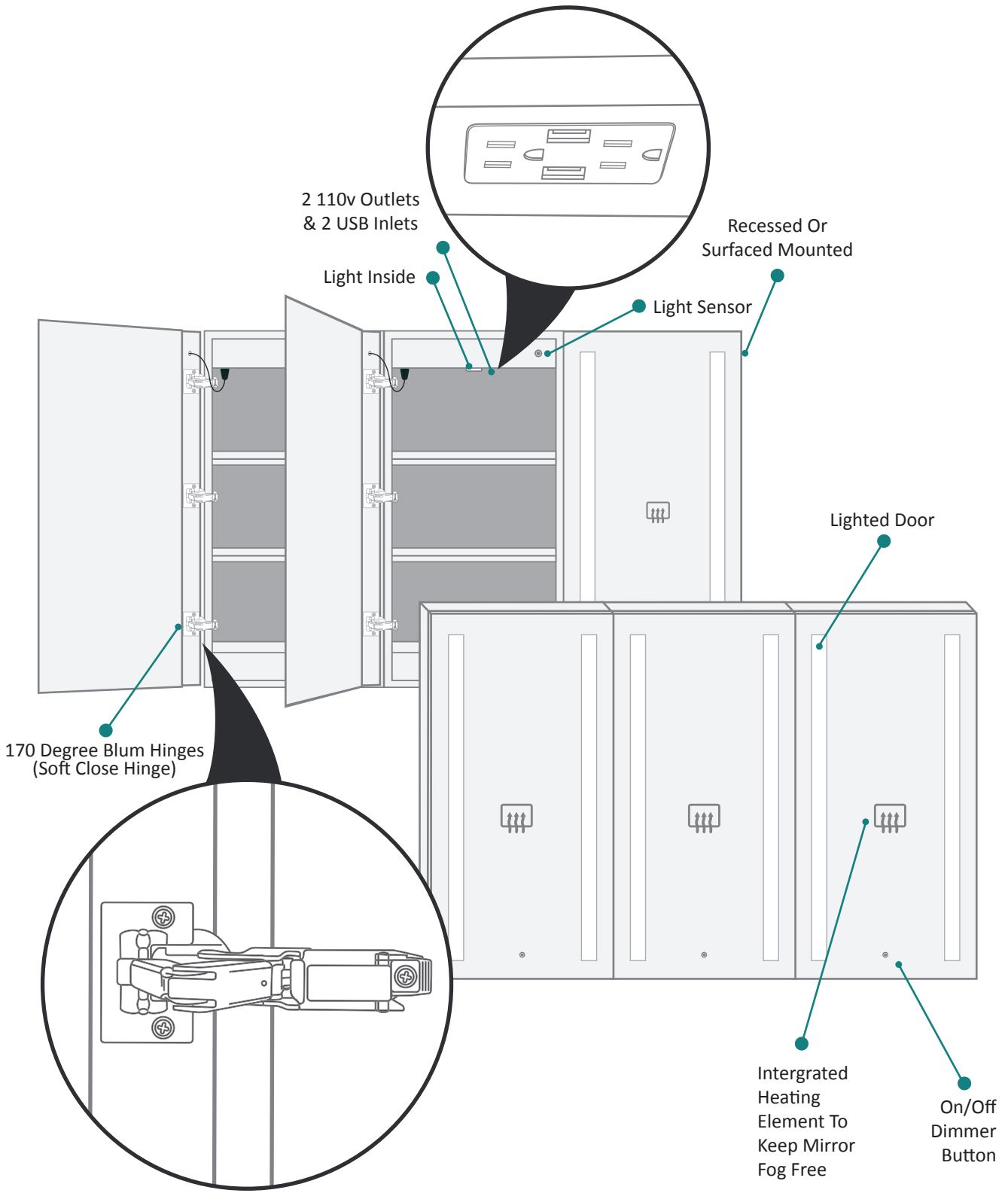
Outlet

- Performance Requirements: Contains the required Supervisory Circuit with the Auto-Monitoring Function as noted by UL 1310
- Input Voltage: Min 112Vac, Nom 125Vac, Max 137Vac
- Frequency: 60Hz
- Front Receptacle Current: 102-132VAC Nominal 15A
- USB Output Current: 5VDC Nominal 4A

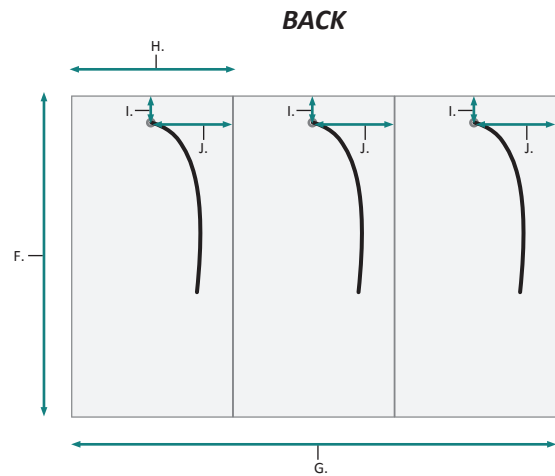
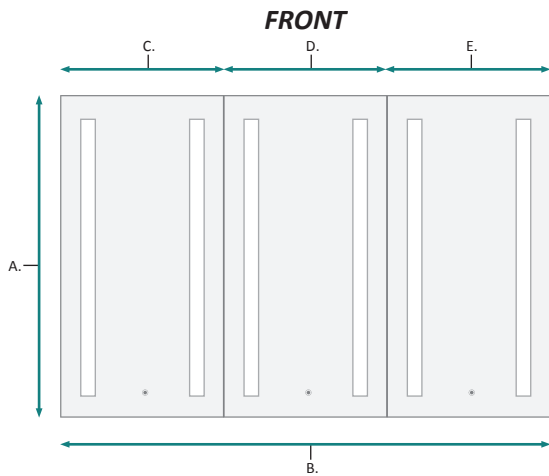
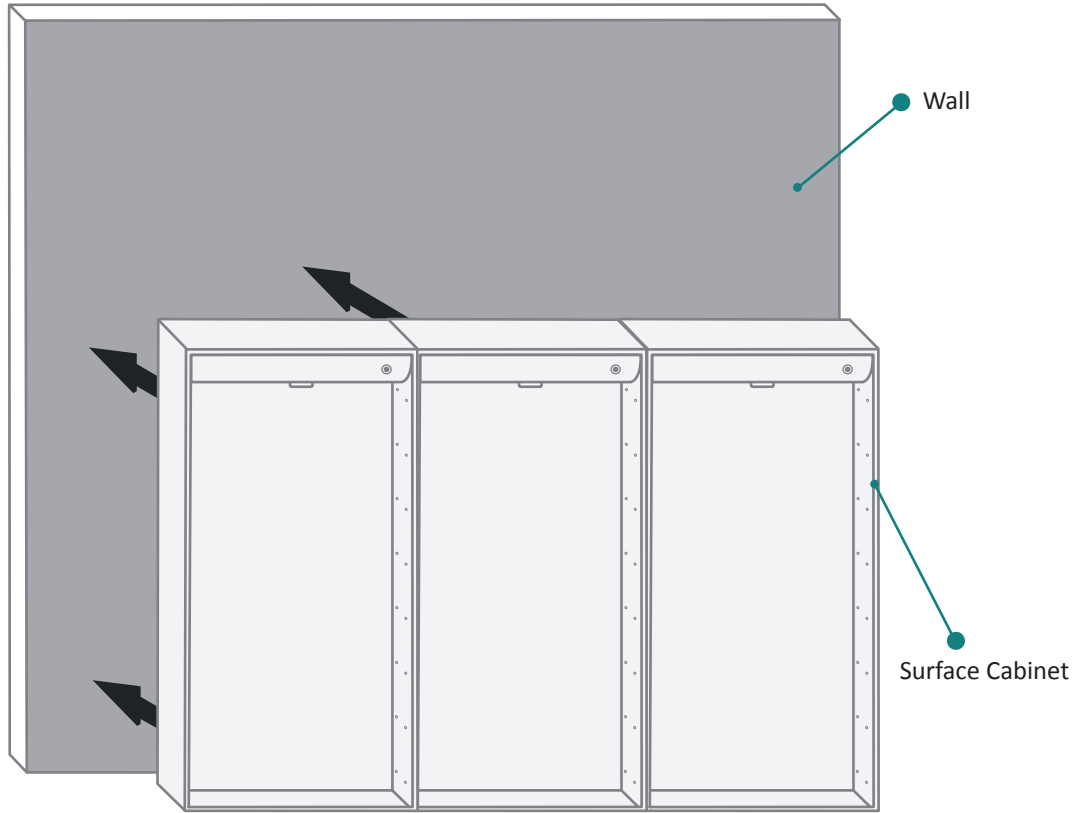
CABINET CONFIGURATION

- Included models in this configuration:
Cabinet 1 = 1530L Cabinet 2=1530L Cabinet 2=1530R





SURFACE MOUNT

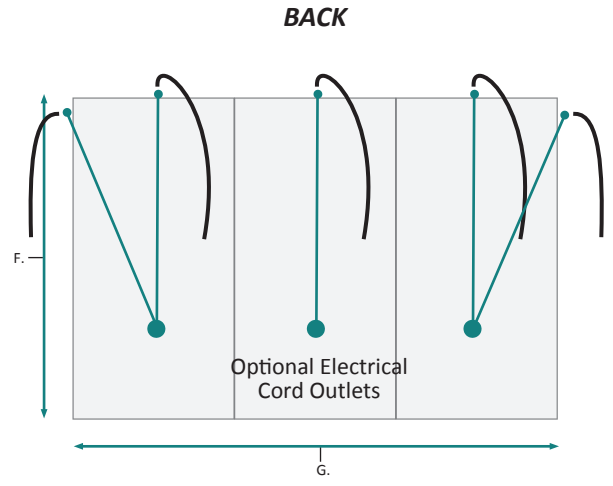
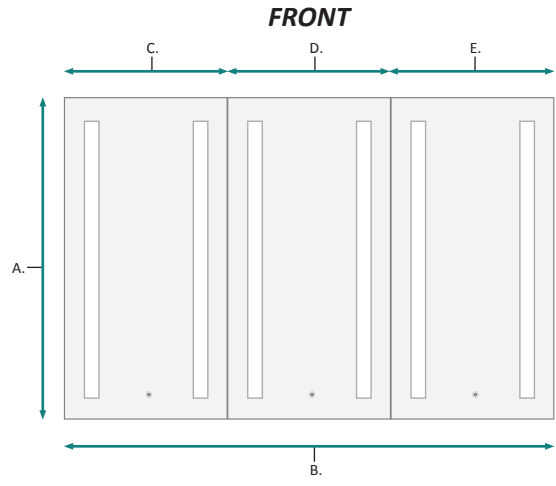
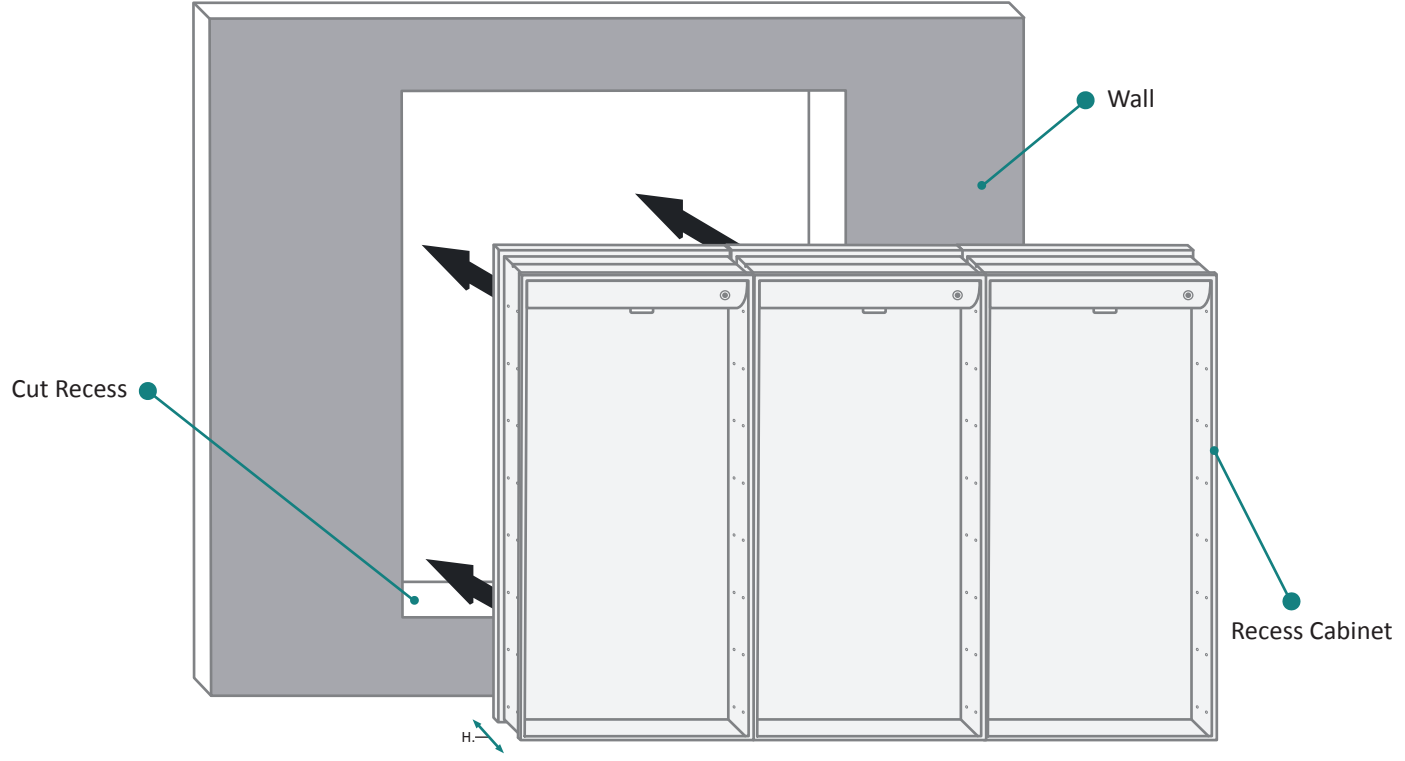


FRONT & BACKS

MODEL	A	B	C	D	E	F	G	H	I	J
KINETIC4530LLR	30	45	15	15	15	29-1/8	40-1/2	13-1/2	1-1/8	6-3/4

These measurements are for reference, for best results we suggest you measure actual product as small variations in size are possible

RECESS MOUNT

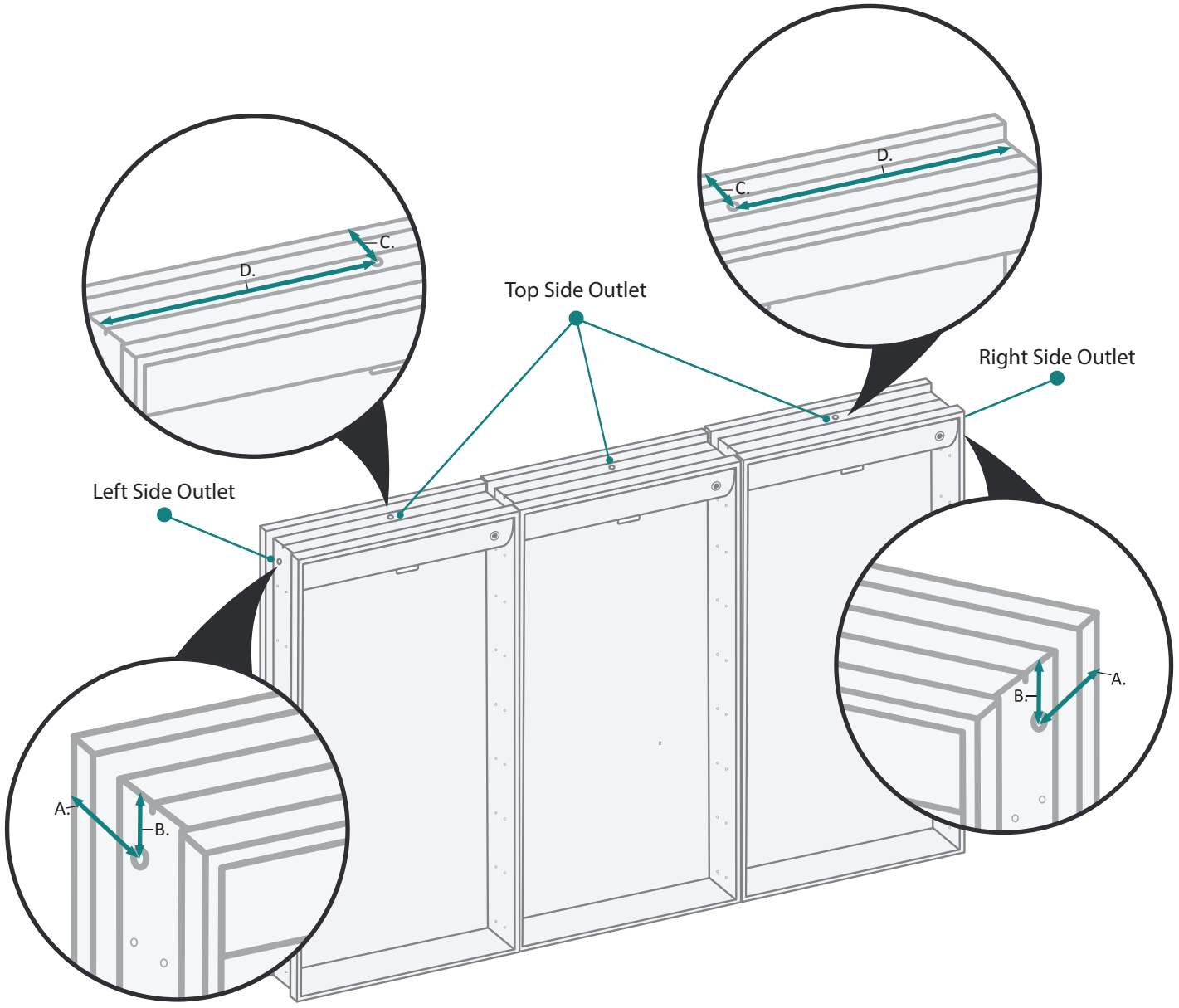


FRONT & BACK

MODEL	A	B	C	D	E	F	G	H
KINETIC4530LLR	30	45	15	15	15	29-1/8	40-1/2	3-7/8

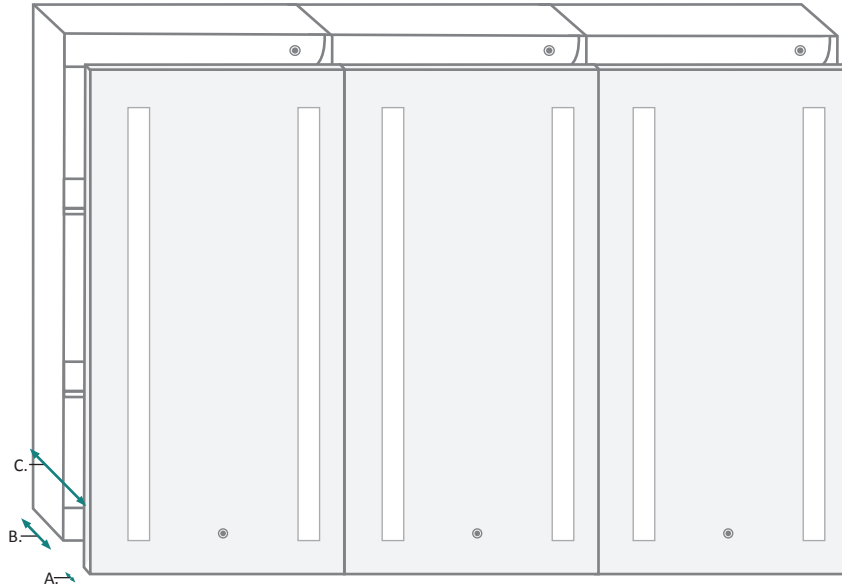
These measurements are for reference, for best results we suggest you measure actual product as small variations in size are possible

RECESS INSTALLATION OPTIONAL ELECTRICAL CORD LOCATIONS



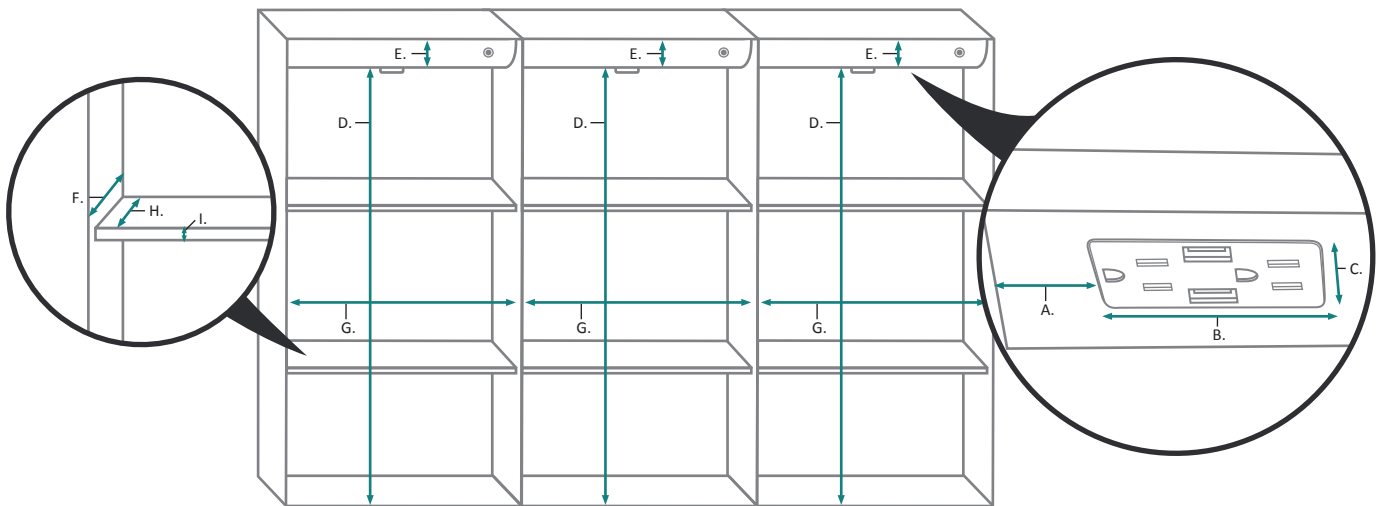
ELECTRICAL CORD LOCATIONS

MODEL	A	B	C	D
KINETIC4530LLR	1-1/2	1-1/8	1-3/8	6-3/4



DOOR & CABINET

MODEL	A	B	C
KINETIC4530LLR	7/8	3-7/8	4-3/4



INTERIOR CABINET

MODEL	A	B	C	D	E	F	G	H	I
KINETIC4530LLR	3-3/4	5-5/8	1-1/4	26-1/4	2-1/4	3-5/8	13-1/4	2-3/8	3/8

These measurements are for reference, for best results we suggest you measure actual product as small variations in size are possible