

Features

- Dimmable LED task lighting
- Integrated touch sensor control with memory
- Energy efficient LED lighting 5000K
- 1420 Lumens
- CRI 90+
- Integrated Defogger

Construction

- Quality polished edge mirror
- Single phase wire installation
- 5 MM Silver Backed Copper Free
- Installation Either Surface Mount (Side Mirror Trim Panels included) or Recessed
- Includes installation hardware

Codes/Standards Applicable

- Conforms to UL Std. 962
- Cert. to CSA Std. C22.2 No.250.0-08
- ETL Intertek 5004931

Electrical System

- 120Vac, 60Hz, 32W
- Electric Current: 0.27A
- Wattage: 32W

SKU

- Name: Kinetic 2030R
- Height: 30"
- Width: 20"
- Weight: 40lbs
- Shipping weight: 45lbs



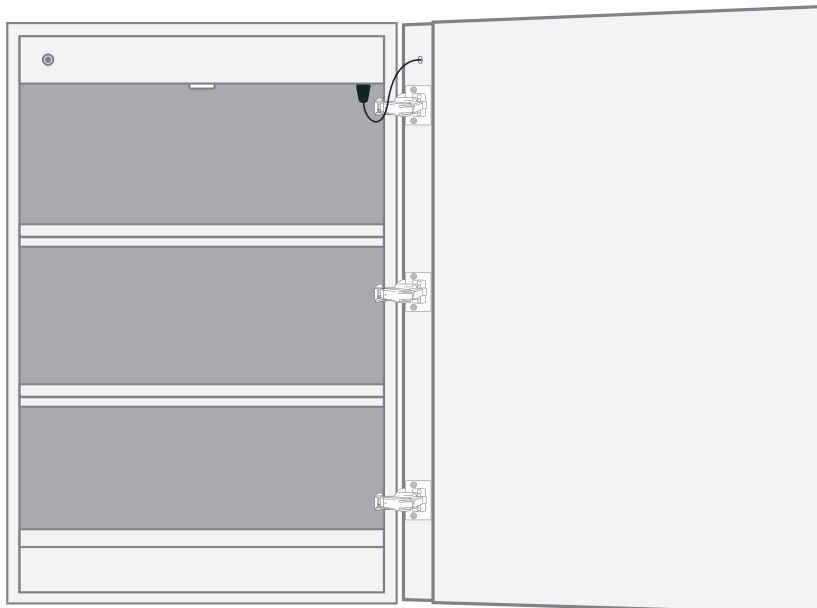
Model

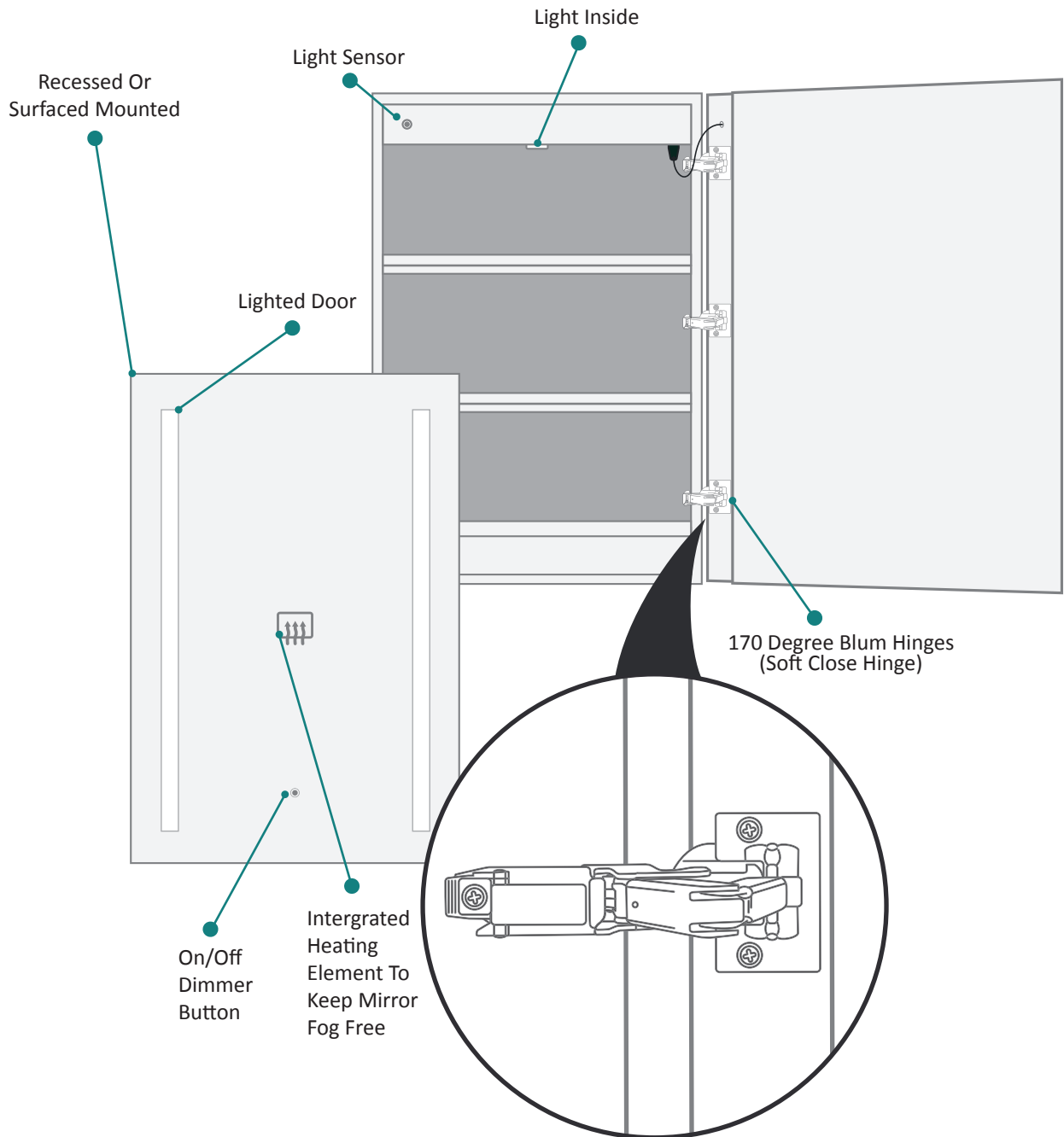
- Kinetic 2030 Right Swinging Door

Outlet

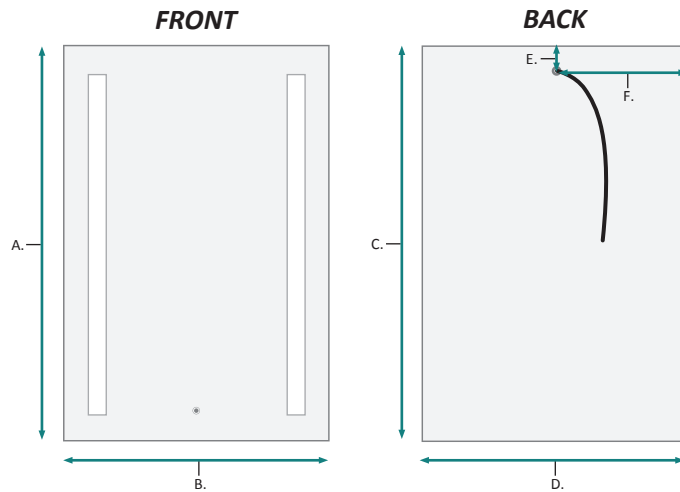
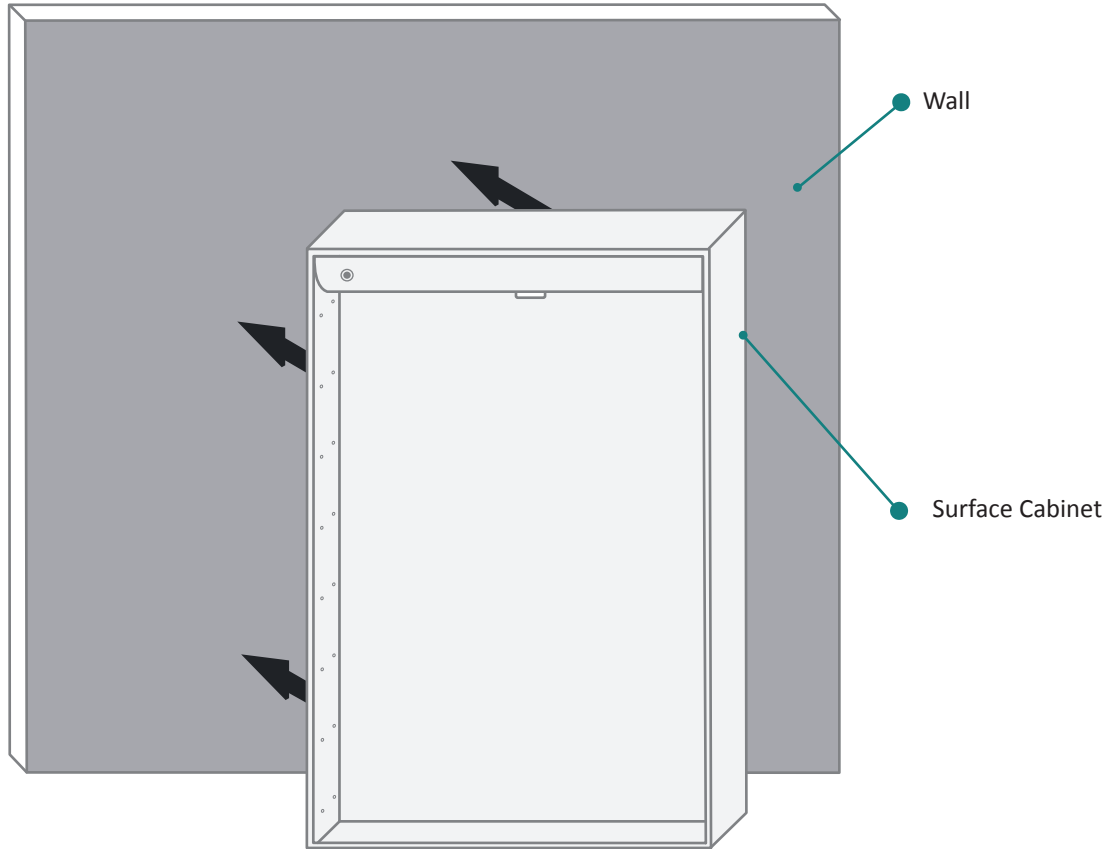
- Performance Requirements: Contains the required Supervisory Circuit with the Auto-Monitoring Function as noted by UL 1310
- Input Voltage: Min 112Vac, Nom 125Vac, Max 137Vac
- Frequency: 60Hz
- Front Receptacle Current: 102-132VAC Nominal 15A
- USB Output Current: 5VDC Nominal 4A

CABINET CONFIGURATION





SURFACE MOUNT

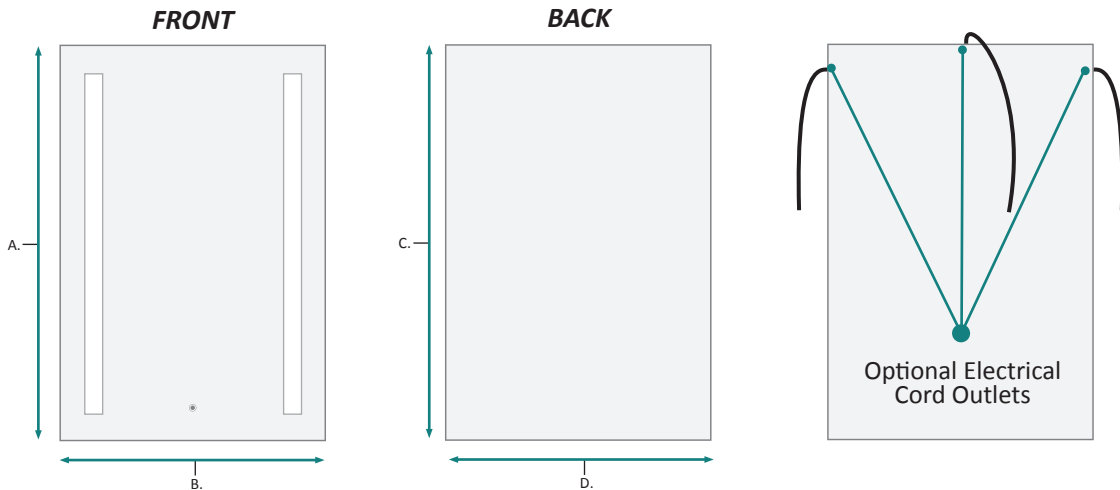
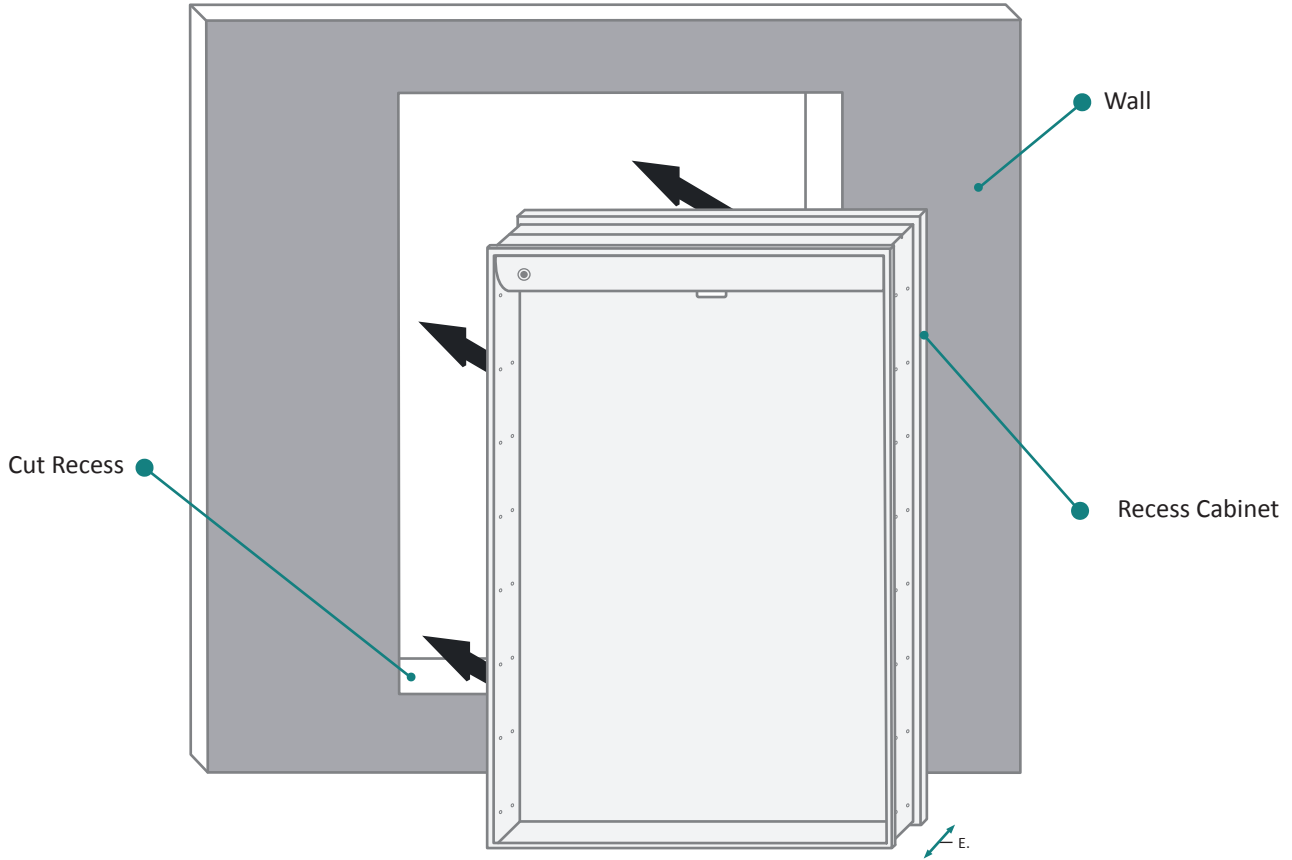


FRONT & BACKS

MODEL	A	B	C	D	E	F
KINETIC2030R	30	20	29-1/8	19-1/8	1-1/8	9-1/4

These measurements are for reference, for best results we suggest you measure actual product as small variations in size are possible

RECESS MOUNT

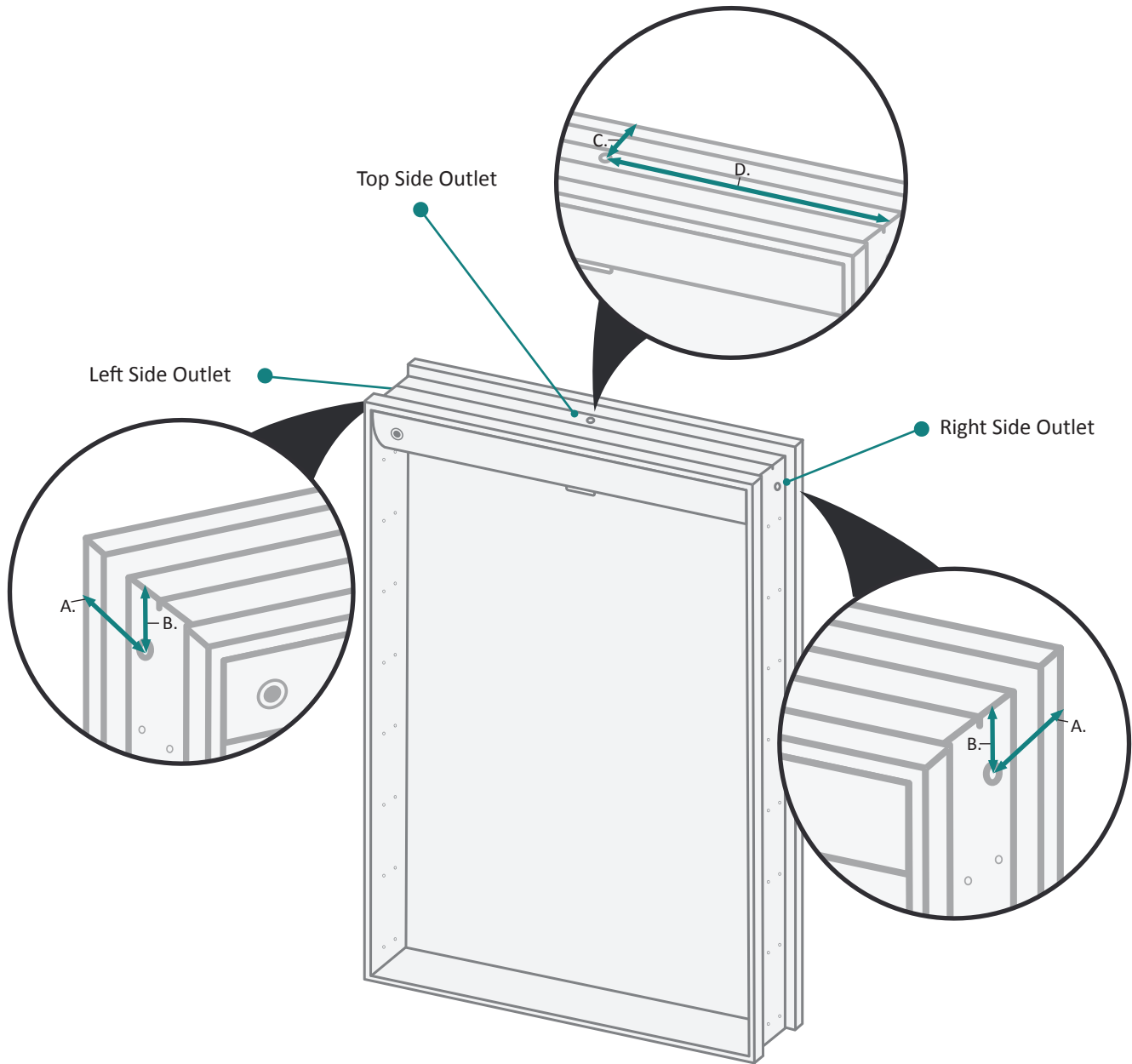


FRONT & BACK

MODEL	A	B	C	D	E
KINETIC2030R	30	20	29-1/8	19-1/8	3-7/8

These measurements are for reference, for best results we suggest you measure actual product as small variations in size are possible

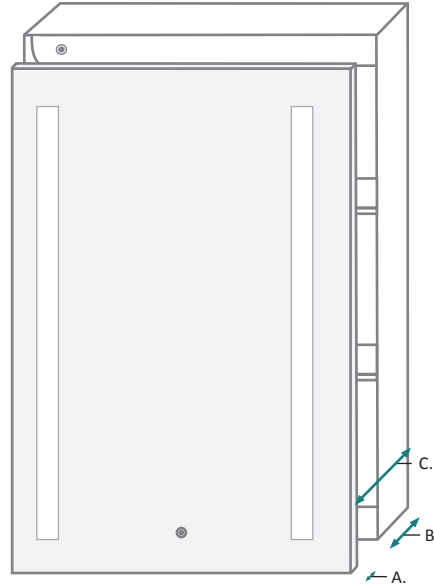
RECESS INSTALLATION OPTIONAL ELECTRICAL CORD LOCATIONS



ELECTRICAL CORD LOCATIONS

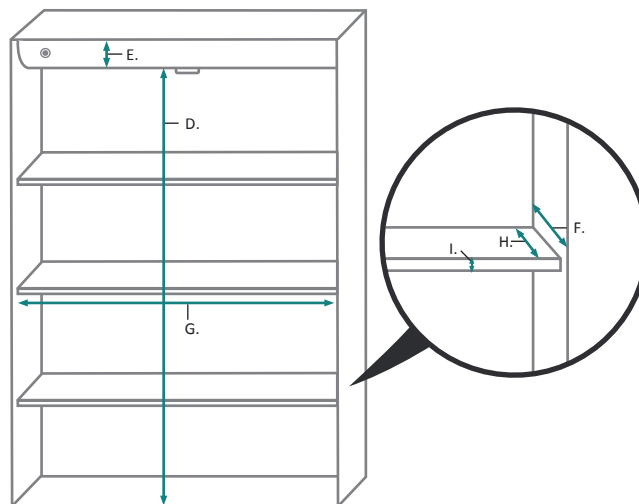
MODEL	A	B	C	D
KINETIC2030R	1-1/2	1-1/8	1-3/8	9-1/4

These measurements are for reference, for best results we suggest you measure actual product as small variations in size are possible



DOOR & CABINET

MODEL	A	B	C
KINETIC2030R	7/8	3-7/8	4-3/4



INTERIOR CABINET

MODEL	A	B	C	D	E	F	G	H	I
KINETIC2030R	3-3/4	5-5/8	1-1/4	26-1/4	2-1/4	3-5/8	18-1/4	2-3/8	3/8

These measurements are for reference, for best results we suggest you measure actual product as small variations in size are possible